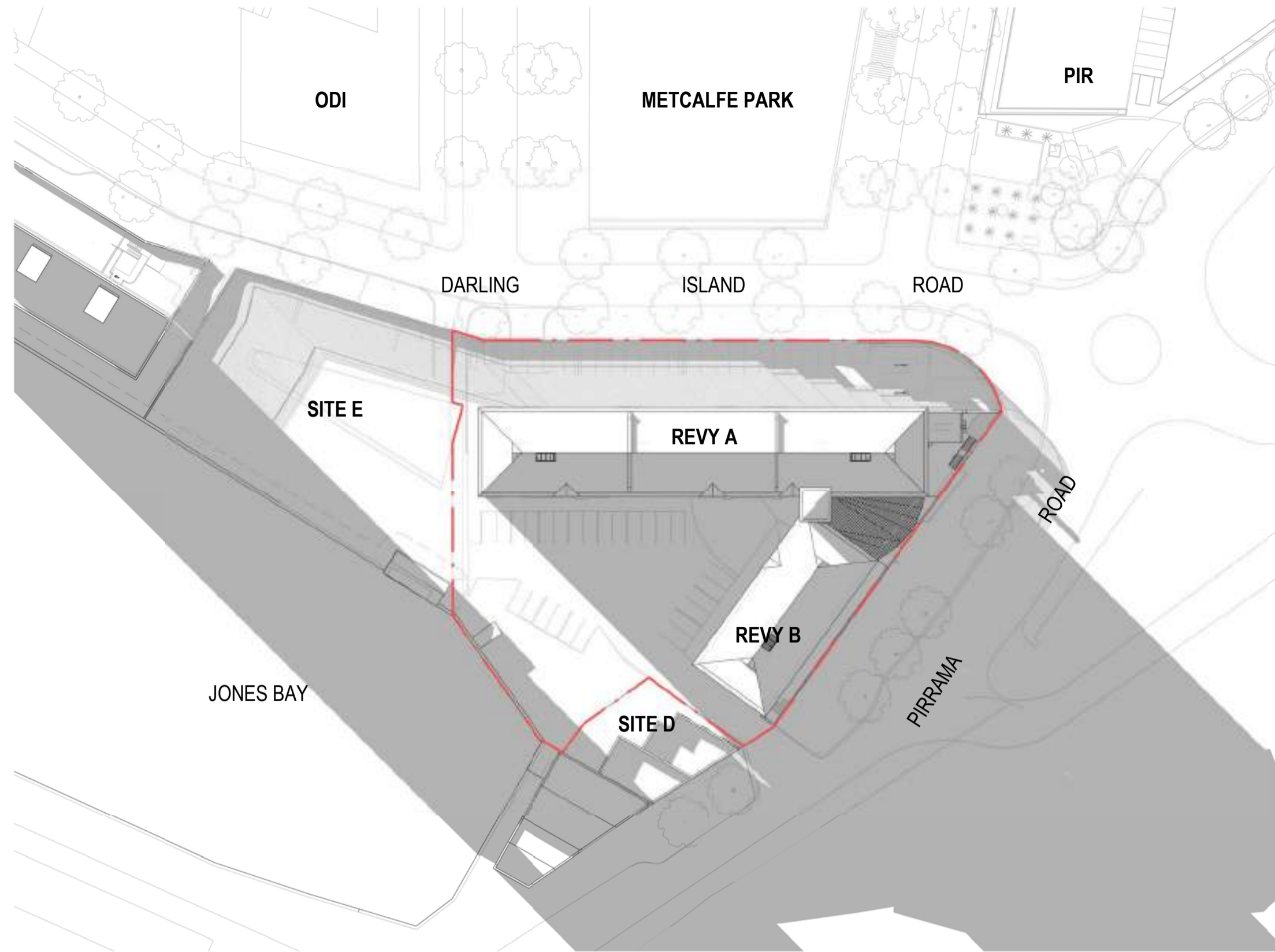
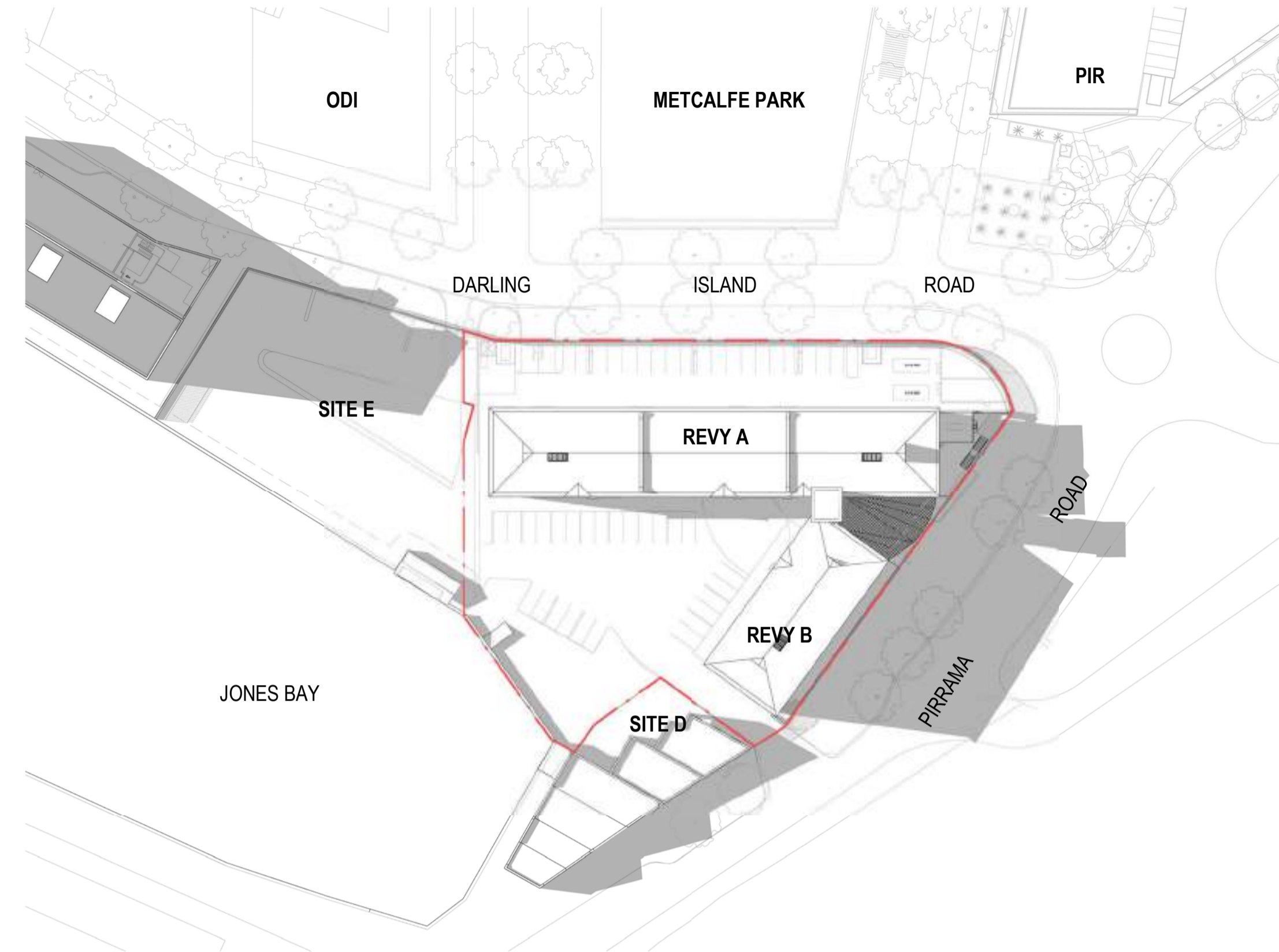


Attachment B3

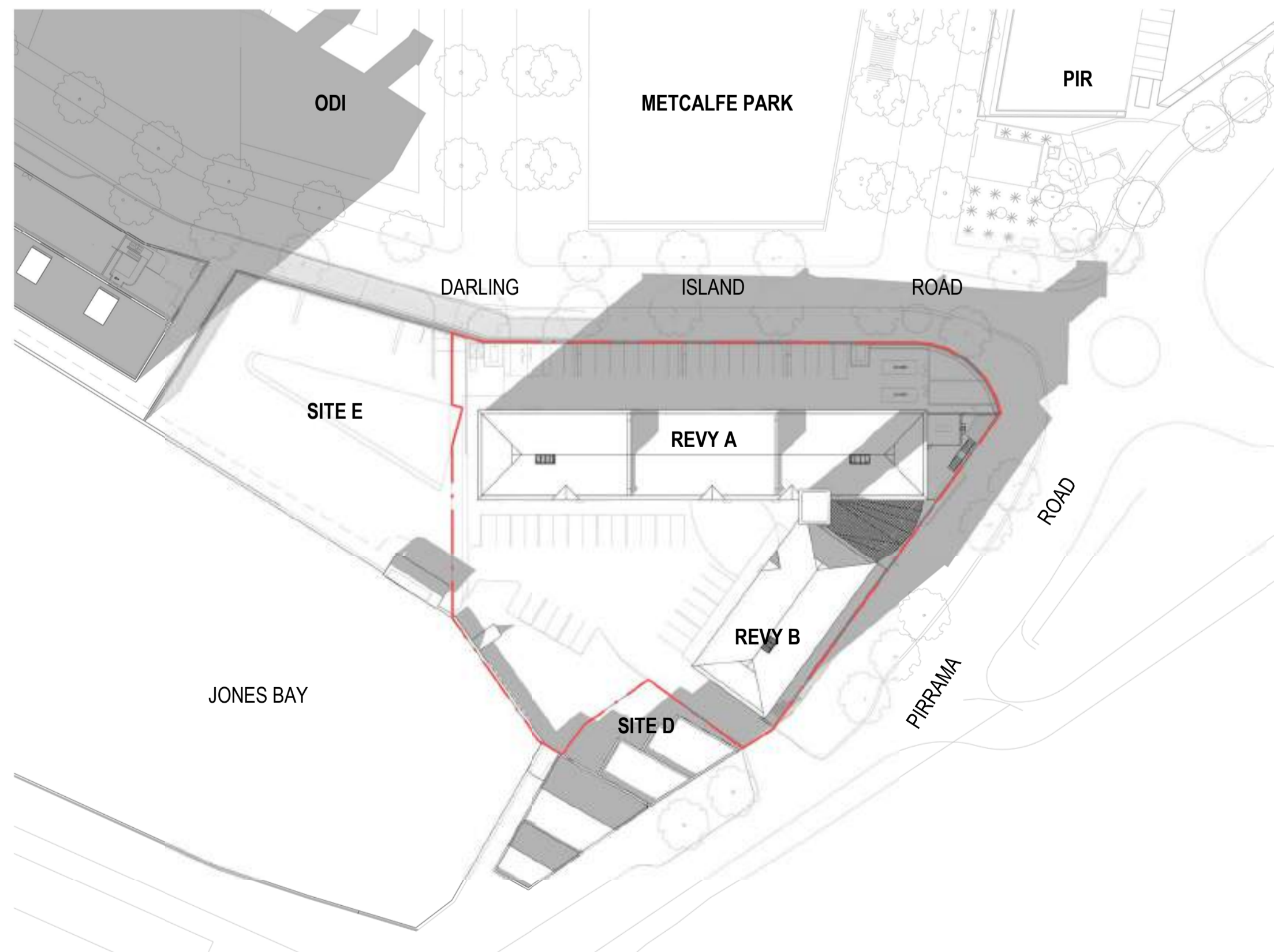
Shadow Diagrams, Elevations & Sections



1 Shadow Diagrams 21/6 9am - Existing
A20.102 1:750



2 Shadow Diagrams 21/6 12pm - Existing
A20.102 1:750



3 Shadow Diagrams 21/6 3pm - Existing
A20.102 1:750

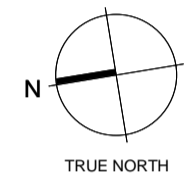
All dimension to be verified on site before producing shop drawings or commencing any work. Do not scale. The copyright of this drawing remains with Warren and Mahoney Architects Ltd.

Revisions

A 17/08/2021	DRAFT FOR COMMENT
B 27/08/2021	DEVELOPMENT APPLICATION
C 08/09/2021	DEVELOPMENT APPLICATION
D 23/06/2022	DESIGN AMENDMENTS
E 24/08/2022	DESIGN AMENDMENTS

Notes

—



Consultants

- GBA Heritage**
Heritage Consultant
- Northrop Consulting Engineers**
Structural & Civil Engineers
- Norman Disney & Young**
Services Engineer
- Arup**
Fire & Lighting Engineers
- ASPECT Studios**
Landscape Architects
- Ethos Urban**
Town Planner
- Modern Building Certifier**
Accessibility Consultant
- WT Partnership**
Quantity Surveyor
- Veris**
Surveyor
- Client**
Google Australia Pty Limited

Warren and Mahoney Architects
Australia Pty Ltd

Suite 13.03, Plaza Building
Australia Square, 95 Pitt Street
Sydney, NSW 2000
Australia
Phone + 61 2 8021 9809

Registered Architects and Designers
www.warrenandmahoney.com

Project Title
Google Pirrama Rd

38-42 Pirrama Road, Pyrmont, NSW
2009

Drawing Title
SHADOW DIAGRAMS
- EXISTING

Drawing Status
DEVELOPMENT
APPLICATION

Drawing Details

Scale	1 : 750 @ A1
Date	24/08/2022
Job No	9153
Drawn	W+M
Checked	W+M

Drawing No	Revision
DA2.180	E

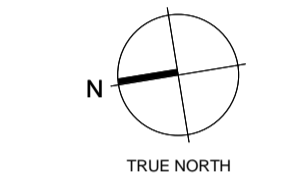
All dimension to be verified on site before producing shop drawings or commencing any work. Do not scale. The copyright of this drawing remains with Warren and Mahoney Architects Ltd.

Revisions

A	17/08/2021	DRAFT FOR COMMENT
B	27/08/2021	DEVELOPMENT APPLICATION
C	08/09/2021	DEVELOPMENT APPLICATION
D	23/06/2022	DESIGN AMENDMENTS
E	24/08/2022	DESIGN AMENDMENTS

Notes

—



Consultants

- GBA Heritage**
Heritage Consultant
- Northrop Consulting Engineers**
Structural & Civil Engineers
- Norman Disney & Young**
Services Engineer
- Arup**
Fire & Lighting Engineers
- ASPECT Studios**
Landscape Architects
- Ethos Urban**
Town Planner
- Modern Building Certifier**
Accessibility Consultant
- WT Partnership**
Quantity Surveyor
- Veris**
Surveyor
- Client**
Google Australia Pty Limited

Warren and Mahoney Architects Australia Pty Ltd

Suite 13.03, Plaza Building
Australia Square, 95 Pitt Street
Sydney, NSW 2000
Australia
Phone + 61 2 8021 9809

Registered Architects and Designers
www.warrenandmahoney.com

Project Title

Google Pirrama Rd

38-42 Pirrama Road, Pyrmont, NSW 2009

Drawing Title

SHADOW DIAGRAMS - PROPOSED

Drawing Status

DEVELOPMENT APPLICATION

Drawing Details

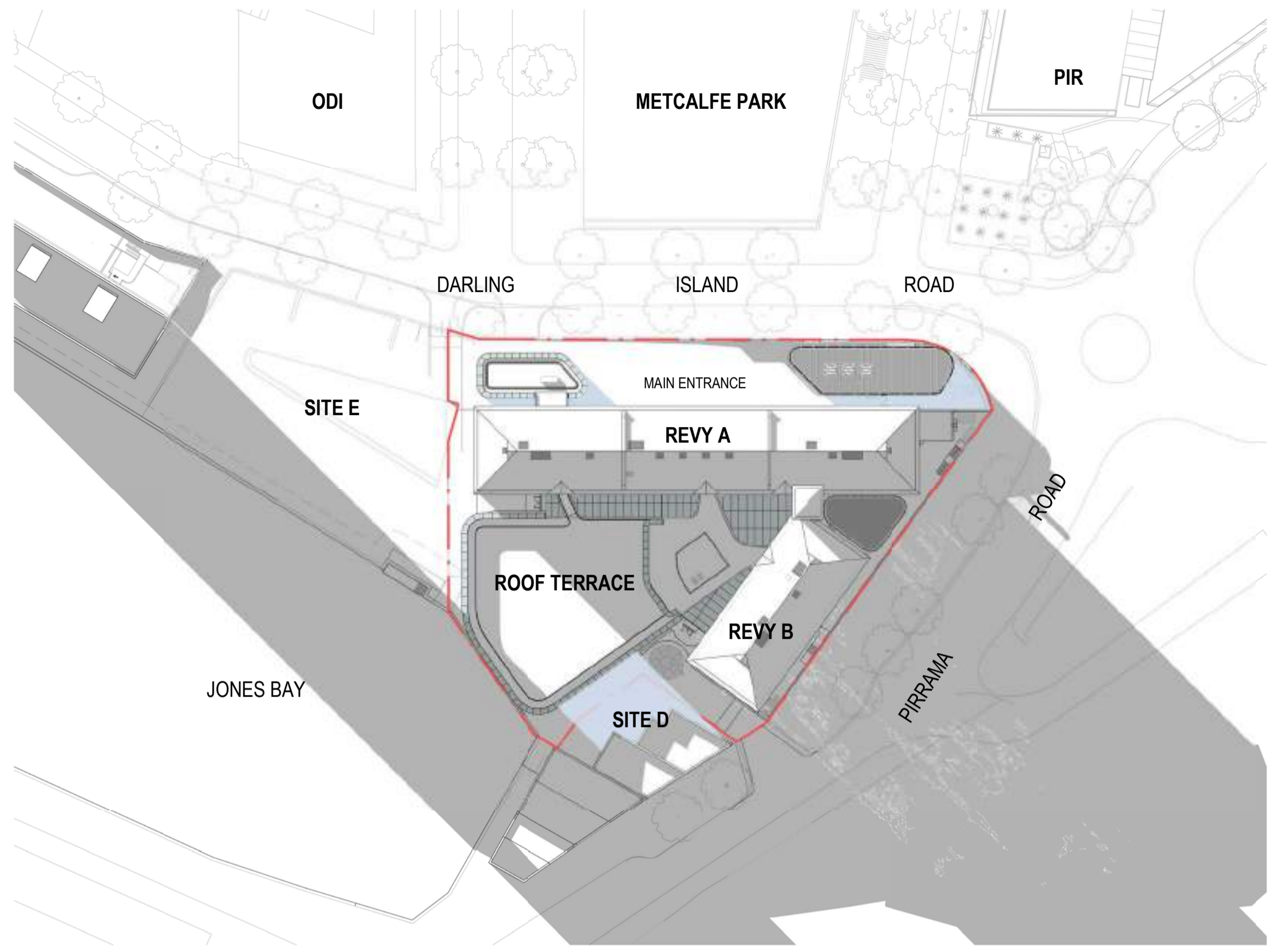
Scale	1 : 750 @ A1
Date	24/08/2022
Job No	9153
Drawn	W+M
Checked	W+M

Drawing No

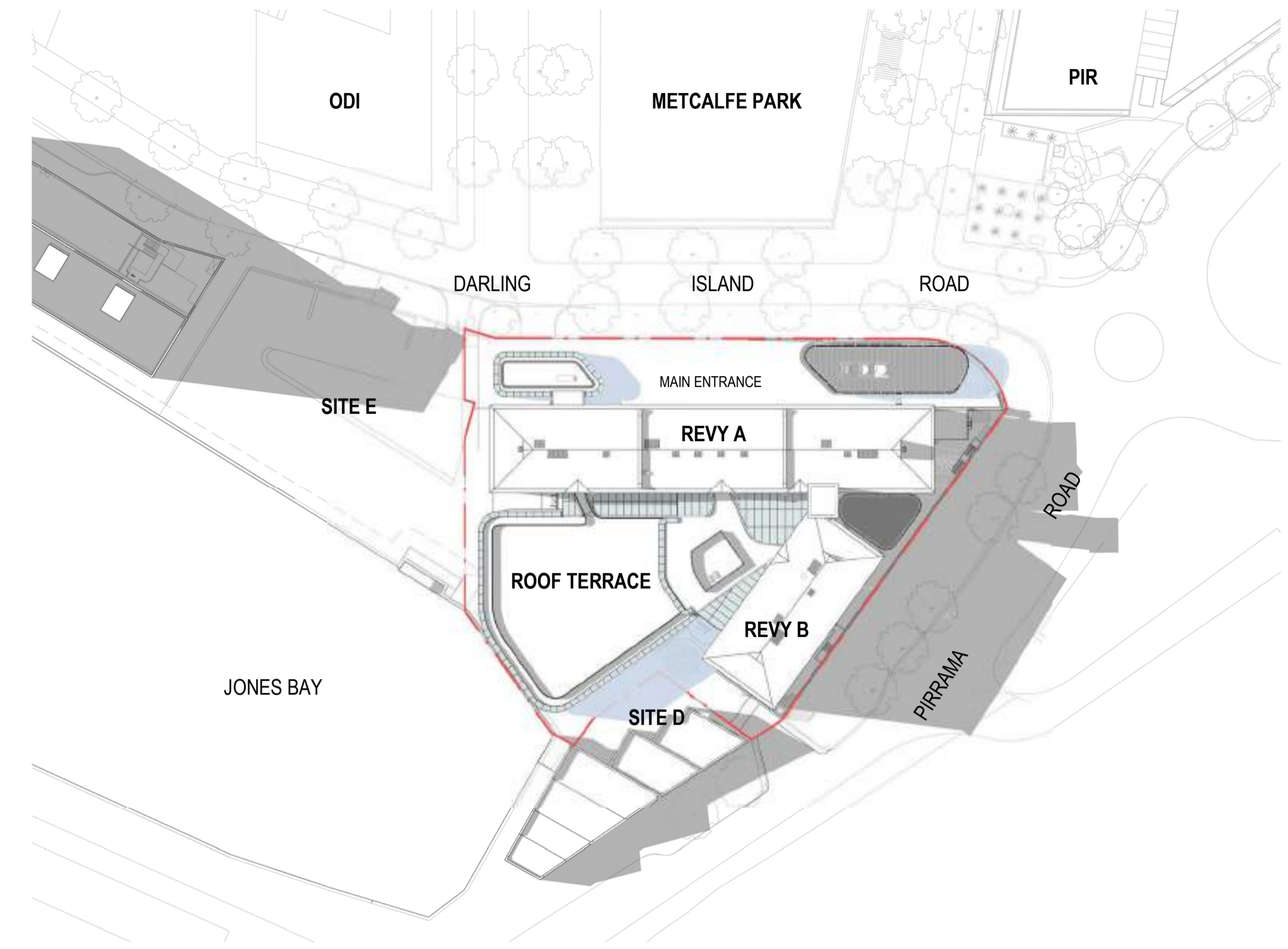
DA2.181

Revision

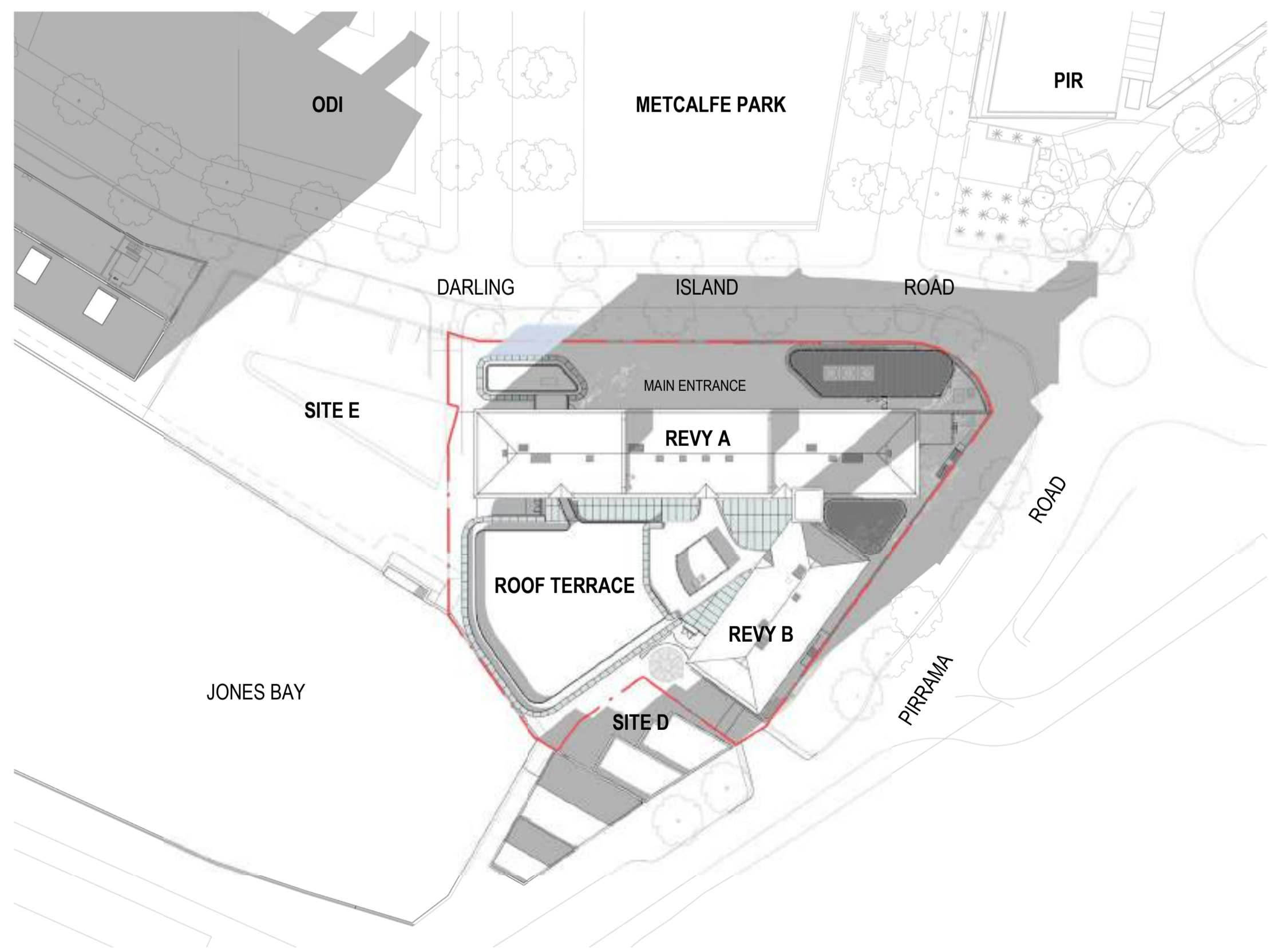
E



1 Shadow Diagrams 21/6 9am - Proposed
A20.102 1 : 750



2 Shadow Diagrams 21/6 12pm - Proposed
A20.102 1 : 750



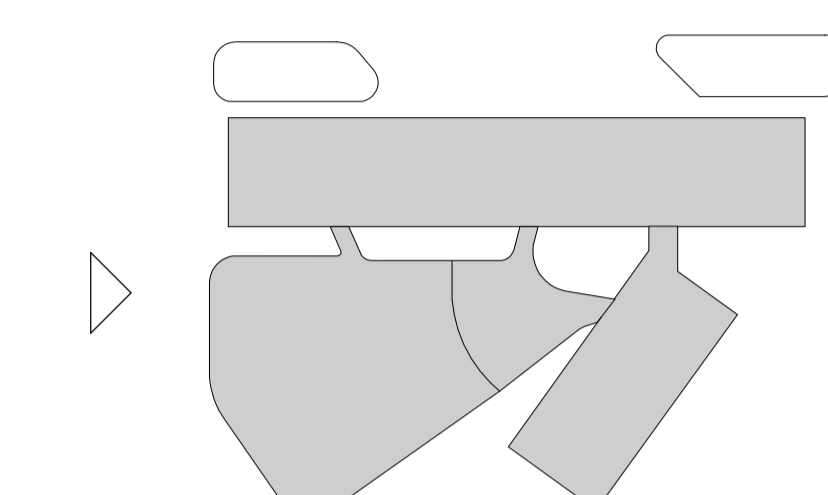
3 Shadow Diagrams 21/6 3pm - Proposed
A20.102 1 : 750

Revisions

A	17/08/2021	DRAFT FOR COMMENT
B	27/08/2021	DEVELOPMENT APPLICATION
C	08/09/2021	DEVELOPMENT APPLICATION
D	23/06/2022	DESIGN AMENDMENTS
E	24/08/2022	DESIGN AMENDMENTS
F	11/11/2022	DESIGN AMENDMENTS

Notes

--- PROPOSED NEW BUILD



Consultants

- GBA Heritage**
Heritage Consultant
 - Northrop Consulting Engineers**
Structural & Civil Engineers
 - Norman Disney & Young**
Services Engineer
 - Arup**
Fire & Lighting Engineers
 - ASPECT Studios**
Landscape Architects
 - Ethos Urban**
Town Planner
 - Modern Building Certifier**
Accessibility Consultant
 - WT Partnership**
Quantity Surveyor
 - Veris**
Surveyor
- Client**
Google Australia Pty Limited

Warren and Mahoney Architects Australia Pty Ltd

Suite 13.03, Plaza Building
Australia Square, 95 Pitt Street
Sydney, NSW 2000
Australia
Phone + 61 2 8021 9809

Registered Architects and Designers
www.warrenandmahoney.com

Project Title

Google Pirrama Rd

38-42 Pirrama Road, Pyrmont, NSW 2009

Drawing Title

PROPOSED NORTH ELEVATION

Drawing Status

DEVELOPMENT APPLICATION

Drawing Details

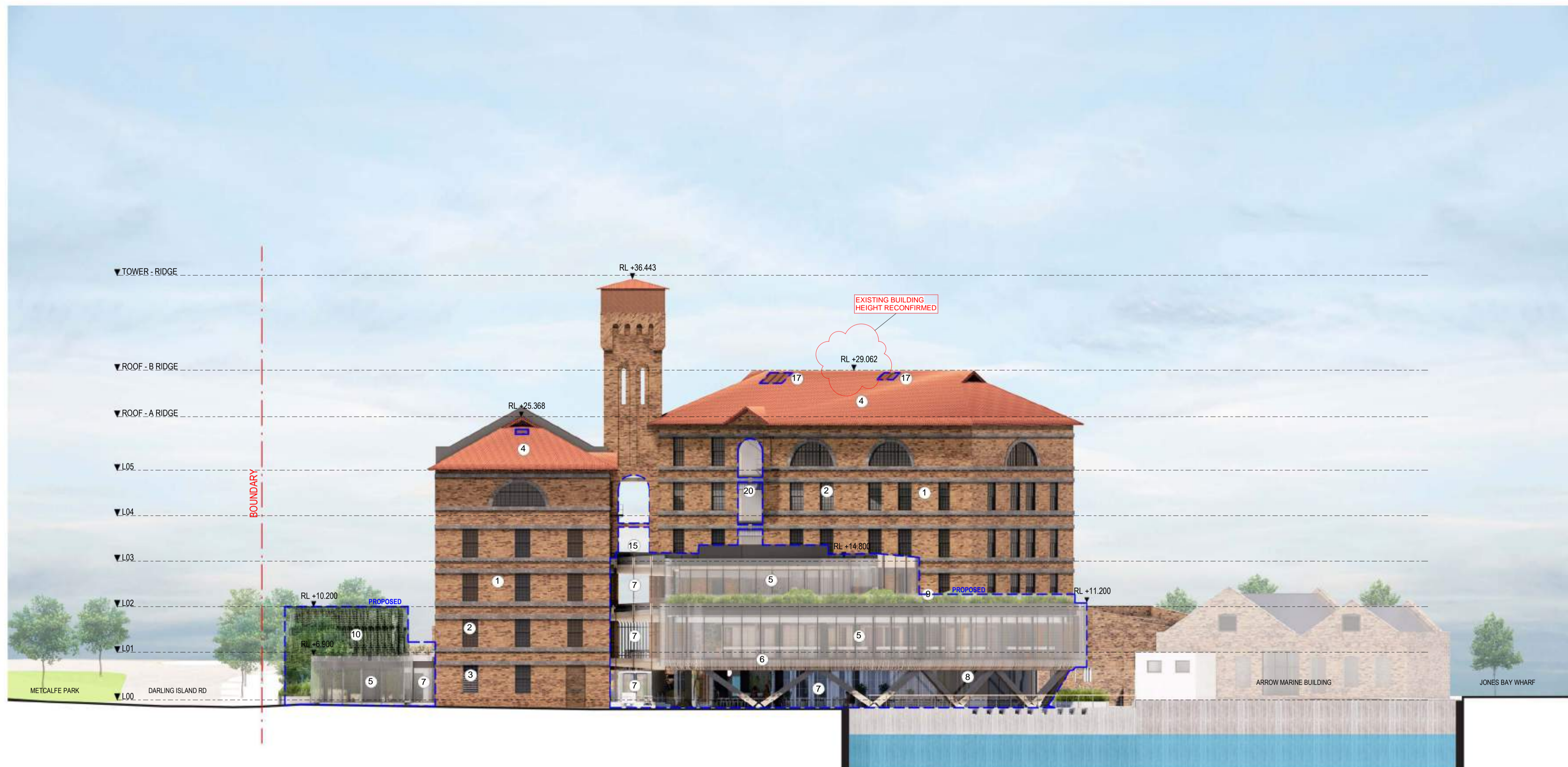
Scale	1 : 200 @ A1
Date	11/11/2022
Job No	9153
Drawn	W+M
Checked	W+M

Drawing No

DA2.200

Revision

F



1 DA2 - North Elevation
A10.201 1 : 200

EXTERNAL FINISHES LEGEND

- EXISTING BRICK FAÇADE
- EXISTING TIMBER WINDOWS
- EXISTING TIMBER FRAMED WINDOW WITH RECESSED LOUVRES
- EXISTING ROOF TILES
- NEW GLAZED DOUBLE SKIN VENTILATED CAVITY FAÇADE SYSTEM
- NEW TIMBER SOFFIT
- NEW FULL HEIGHT GLAZING
- NEW TIMBER SLANTED COLUMNS
- NEW GLAZED BALUSTRADE
- NEW FULL HEIGHT PLANTED SCREEN
- NEW FULL HEIGHT LOUVRED SCREEN
- NEW CONCRETE PLANTED FAÇADE
- NEW COLOUR BACK GLAZING
- EXISTING METAL LOUVRES
- NEW GLAZED ATRIUM
- NEW LANDSCAPE CORNER
- NEW LOUVRED OPENINGS
- PAINTED STEEL WITH PAINTED METAL LOUVRES ABOVE
- NEW PAINTED METAL FENCE
- NEW GLAZED WINDOW
- NEW GLAZED LOUVRES

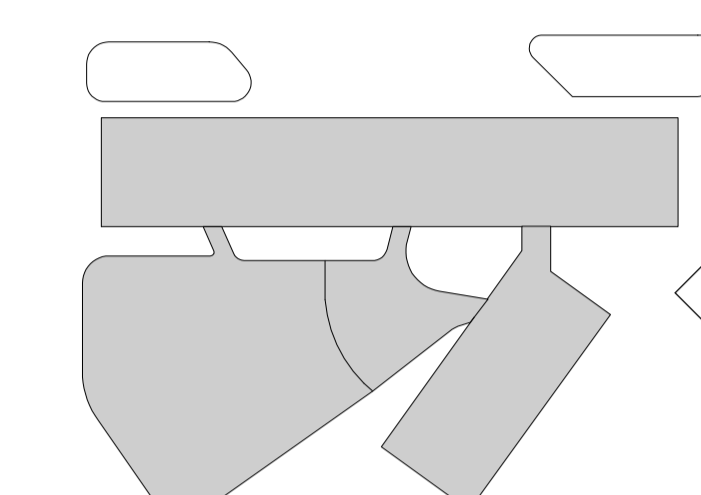
All dimension to be verified on site before producing shop drawings or commencing any work. Do not scale. The copyright of this drawing remains with Warren and Mahoney Architects Ltd.

Revisions

A	17/08/2021	DRAFT FOR COMMENT
B	27/08/2021	DEVELOPMENT APPLICATION
C	08/09/2021	DEVELOPMENT APPLICATION
D	23/06/2022	DESIGN AMENDMENTS
E	24/08/2022	DESIGN AMENDMENTS
F	11/11/2022	DESIGN AMENDMENTS

Notes

--- PROPOSED NEW BUILD



Consultants

- GBA Heritage**
Heritage Consultant
 - Northrop Consulting Engineers**
Structural & Civil Engineers
 - Norman Disney & Young**
Services Engineer
 - Arup**
Fire & Lighting Engineers
 - ASPECT Studios**
Landscape Architects
 - Ethos Urban**
Town Planner
 - Modern Building Certifier**
Accessibility Consultant
 - WT Partnership**
Quantity Surveyor
 - Veris**
Surveyor
- Client**
Google Australia Pty Limited

Warren and Mahoney Architects Australia Pty Ltd

Suite 13.03, Plaza Building
Australia Square, 95 Pitt Street
Sydney, NSW 2000
Australia
Phone + 61 2 8021 9809

Registered Architects and Designers
www.warrenandmahoney.com

Project Title

Google Pirrama Rd

38-42 Pirrama Road, Pyrmont, NSW 2009

Drawing Title

PROPOSED SOUTH ELEVATION

Drawing Status

DEVELOPMENT APPLICATION

Drawing Details

Scale	1 : 200 @ A1
Date	11/11/2022
Job No	9153
Drawn	W+M
Checked	W+M

Drawing No **Revision**

DA2.201 F



1 DA2 - South Elevation
A10.101 1:200

EXTERNAL FINISHES LEGEND

1	EXISTING BRICK FAÇADE
2	EXISTING TIMBER WINDOWS
3	EXISTING TIMBER FRAMED WINDOW WITH RECESSED LOUVRES
4	EXISTING ROOF TILES
5	NEW GLAZED DOUBLE SKIN VENTILATED CAVITY FAÇADE SYSTEM
6	NEW TIMBER SOFFIT
7	NEW FULL HEIGHT GLAZING
8	NEW TIMBER SLANTED COLUMNS
9	NEW GLAZED BALUSTRADE
10	NEW FULL HEIGHT PLANTED SCREEN
11	NEW FULL HEIGHT LOUVRED SCREEN
12	NEW CONCRETE PLANTED FAÇADE
13	NEW COLOUR BACK GLAZING
14	EXISTING METAL LOUVRES
15	NEW GLAZED ATRIUM
16	NEW LANDSCAPE CORNER
17	NEW LOUVRED OPENINGS
18	PAINTED STEEL WITH PAINTED METAL LOUVRES ABOVE
19	NEW PAINTED METAL FENCE
20	NEW GLAZED WINDOW
21	NEW GLAZED LOUVRES

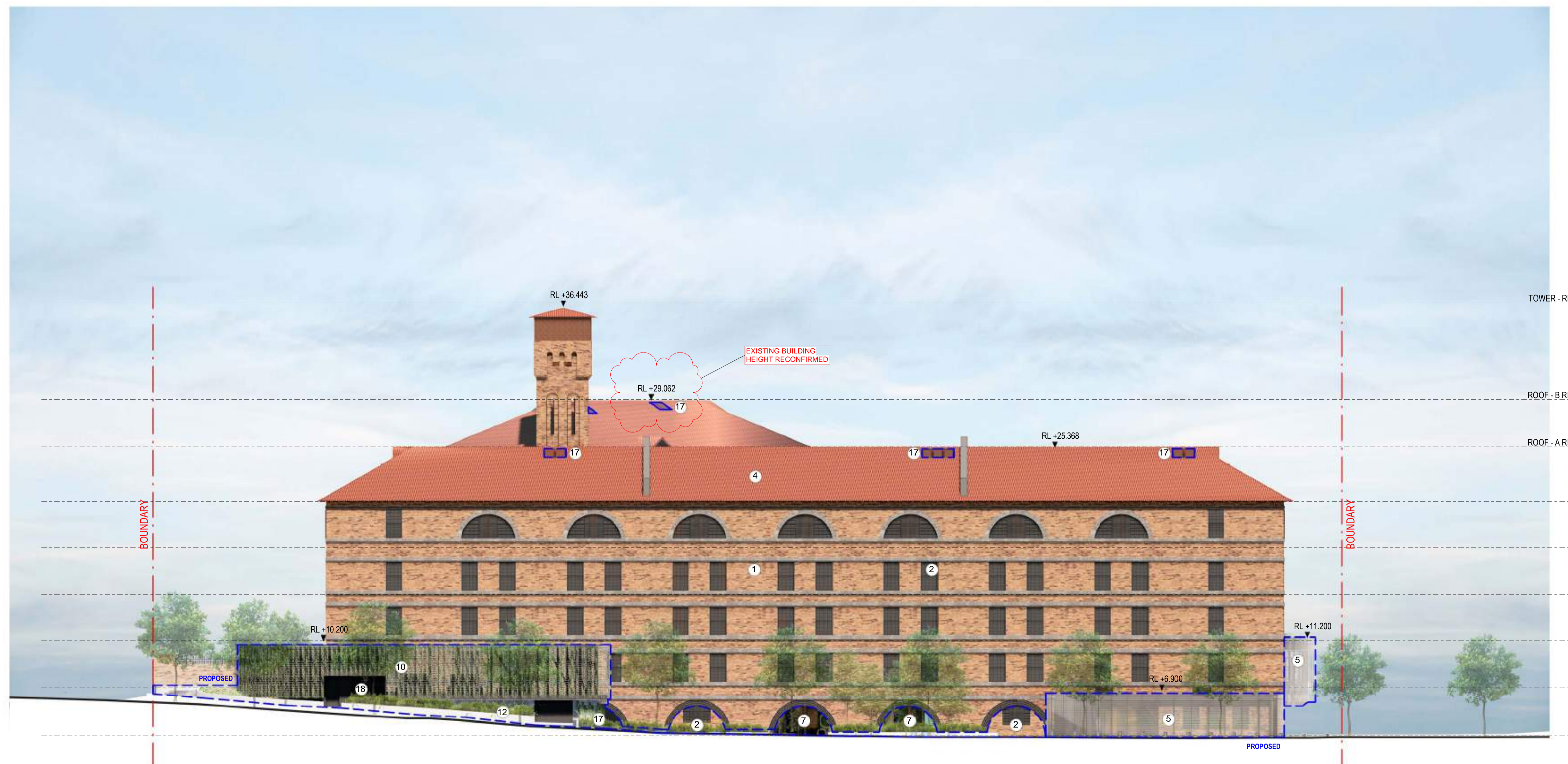
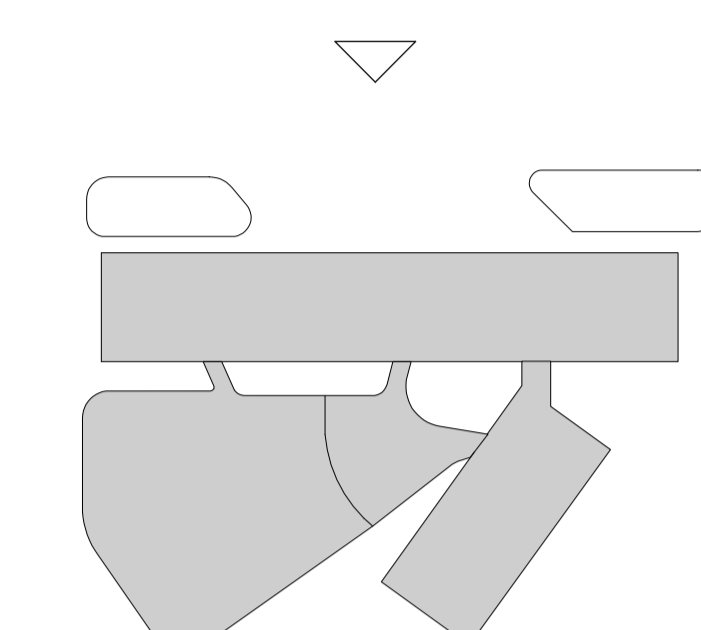
All dimension to be verified on site before producing shop drawings or commencing any work. Do not scale. The copyright of this drawing remains with Warren and Mahoney Architects Ltd.

Revisions

A	17/08/2021	DRAFT FOR COMMENT
B	27/08/2021	DEVELOPMENT APPLICATION
C	08/09/2021	DEVELOPMENT APPLICATION
D	23/06/2022	DESIGN AMENDMENTS
E	24/08/2022	DESIGN AMENDMENTS
F	11/11/2022	DESIGN AMENDMENTS

Notes

--- PROPOSED NEW BUILD



189

1 DA2 - East Elevation
A10.201 1:200

Consultants

- GBA Heritage**
Heritage Consultant
- Northrop Consulting Engineers**
Structural & Civil Engineers
- Norman Disney & Young**
Services Engineer
- Arup**
Fire & Lighting Engineers
- ASPECT Studios**
Landscape Architects
- Ethos Urban**
Town Planner
- Modern Building Certifier**
Accessibility Consultant
- WT Partnership**
Quantity Surveyor
- Veris**
Surveyor
- Client**
Google Australia Pty Limited

Warren and Mahoney Architects Australia Pty Ltd

Suite 13.03, Plaza Building
Australia Square, 95 Pitt Street
Sydney, NSW 2000
Australia
Phone + 61 2 8021 9809

Registered Architects and Designers
www.warrenandmahoney.com

Project Title

Google Pirrama Rd

38-42 Pirrama Road, Pyrmont, NSW 2009

Drawing Title

PROPOSED EAST ELEVATION

Drawing Status

DEVELOPMENT APPLICATION

Drawing Details

Scale	1 : 200 @ A1
Date	11/11/2022
Job No	9153
Drawn	W+M
Checked	W+M

Drawing No

DA2.202

Revision

F

EXTERNAL FINISHES LEGEND

1	EXISTING BRICK FAÇADE
2	EXISTING TIMBER WINDOWS
3	EXISTING TIMBER FRAMED WINDOW WITH RECESSED LOUVRES
4	EXISTING ROOF TILES
5	NEW GLAZED DOUBLE SKIN VENTILATED CAVITY FAÇADE SYSTEM
6	NEW TIMBER SOFFIT
7	NEW FULL HEIGHT GLAZING
8	NEW TIMBER SLANTED COLUMNS
9	NEW GLAZED BALUSTRADE
10	NEW FULL HEIGHT PLANTED SCREEN
11	NEW FULL HEIGHT LOUVRED SCREEN
12	NEW CONCRETE PLANTED FAÇADE
13	NEW COLOUR BACK GLAZING
14	EXISTING METAL LOUVRES
15	NEW GLAZED ATRIUM
16	NEW LANDSCAPE CORNER
17	NEW LOUVRED OPENINGS
18	PAINTED STEEL WITH PAINTED METAL LOUVRES ABOVE
19	NEW PAINTED METAL FENCE
20	NEW GLAZED WINDOW
21	NEW GLAZED LOUVRES

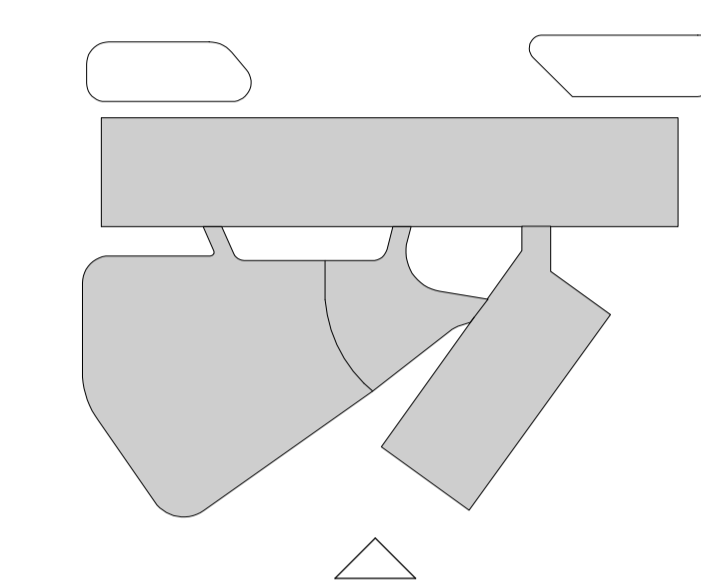
All dimension to be verified on site before producing shop drawings or commencing any work. Do not scale. The copyright of this drawing remains with Warren and Mahoney Architects Ltd.

Revisions

A	17/08/2021	DRAFT FOR COMMENT
B	27/08/2021	DEVELOPMENT APPLICATION
C	08/09/2021	DEVELOPMENT APPLICATION
D	23/06/2022	DESIGN AMENDMENTS
E	24/08/2022	DESIGN AMENDMENTS
F	11/11/2022	DESIGN AMENDMENTS

Notes

--- PROPOSED NEW BUILD



Consultants

- GBA Heritage**
Heritage Consultant
- Northrop Consulting Engineers**
Structural & Civil Engineers
- Norman Disney & Young**
Services Engineer
- Arup**
Fire & Lighting Engineers
- ASPECT Studios**
Landscape Architects
- Ethos Urban**
Town Planner
- Modern Building Certifier**
Accessibility Consultant
- WT Partnership**
Quantity Surveyor
- Veris**
Surveyor

Client

Google Australia Pty Limited

Warren and Mahoney Architects Australia Pty Ltd

Suite 13.03, Plaza Building
Australia Square, 95 Pitt Street
Sydney, NSW 2000
Australia
Phone + 61 2 8021 9809

Registered Architects and Designers
www.warrenandmahoney.com

Project Title

Google Pirrama Rd

38-42 Pirrama Road, Pyrmont, NSW 2009

Drawing Title

PROPOSED WEST ELEVATION

Drawing Status

DEVELOPMENT APPLICATION

Drawing Details

Scale	1 : 200 @ A1
Date	11/11/2022
Job No	9153
Drawn	W+M
Checked	W+M

Drawing No

DA2.203

Revision

F

EXTERNAL FINISHES LEGEND

1	EXISTING BRICK FAÇADE
2	EXISTING TIMBER WINDOWS
3	EXISTING TIMBER FRAMED WINDOW WITH RECESSED LOUVRES
4	EXISTING ROOF TILES
5	NEW GLAZED DOUBLE SKIN VENTILATED CAVITY FAÇADE SYSTEM
6	NEW TIMBER SOFFIT
7	NEW FULL HEIGHT GLAZING
8	NEW TIMBER SLANTED COLUMNS
9	NEW GLAZED BALUSTRADE
10	NEW FULL HEIGHT PLANTED SCREEN
11	NEW FULL HEIGHT LOUVRED SCREEN
12	NEW CONCRETE PLANTED FAÇADE
13	NEW COLOUR BACK GLAZING
14	EXISTING METAL LOUVRES
15	NEW GLAZED ATRIUM
16	NEW LANDSCAPE CORNER
17	NEW LOUVRED OPENINGS
18	PAINTED STEEL WITH PAINTED METAL LOUVRES ABOVE
19	NEW PAINTED METAL FENCE
20	NEW GLAZED WINDOW
21	NEW GLAZED LOUVRES

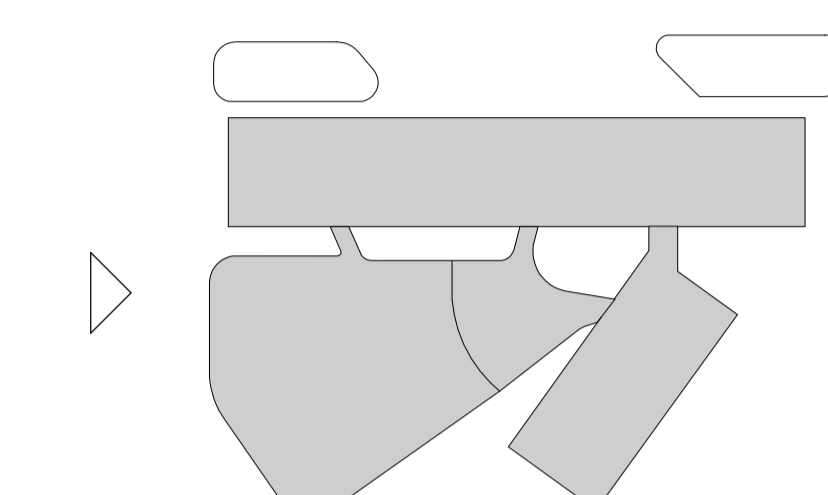
1 DA2 - West Elevation
A10.201 1 : 200

Revisions

- A 14/10/2022 DESIGN AMENDMENTS
- B 11/11/2022 DESIGN AMENDMENTS

Notes

--- PROPOSED NEW BUILD



Consultants

- GBA Heritage**
Heritage Consultant
- Northrop Consulting Engineers**
Structural & Civil Engineers
- Norman Disney & Young**
Services Engineer
- Arup**
Fire & Lighting Engineers
- ASPECT Studios**
Landscape Architects
- Ethos Urban**
Town Planner
- Modern Building Certifier**
Accessibility Consultant
- WT Partnership**
Quantity Surveyor
- Veris**
Surveyor
- Client**
Google Australia Pty Limited

Warren and Mahoney Architects Australia Pty Ltd

Suite 13.03, Plaza Building
Australia Square, 95 Pitt Street
Sydney, NSW 2000
Australia
Phone + 61 2 8021 9809

Registered Architects and Designers
www.warrenandmahoney.com

Project Title

Google Pirrama Rd

38-42 Pirrama Road, Pyrmont, NSW 2009

Drawing Title

PROPOSED NORTH ELEVATION - INC. BLD D

Drawing Status

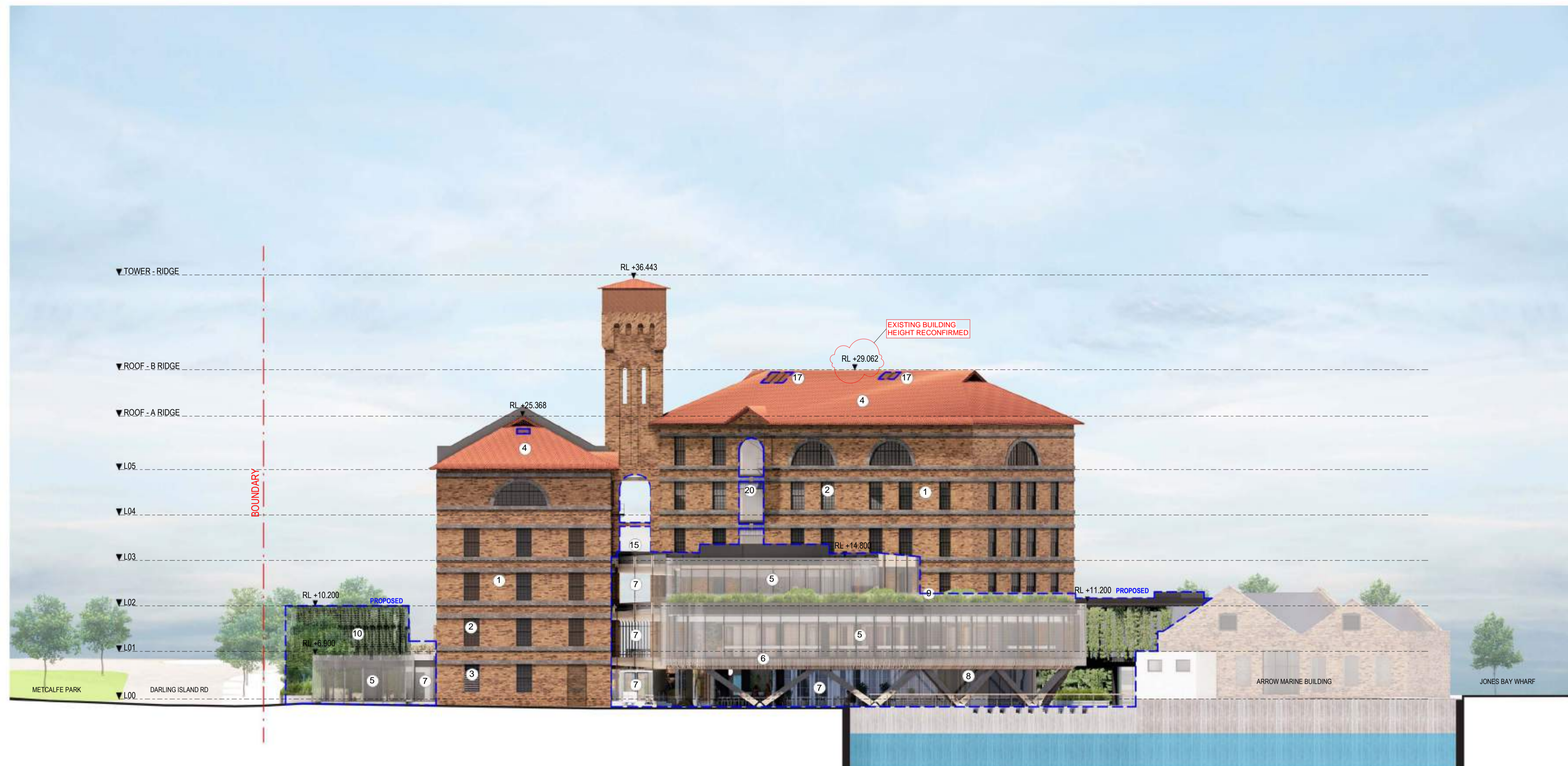
DEVELOPMENT APPLICATION

Drawing Details

Scale 1 : 200 @ A1
Date 11/11/2022
Job No 9153
Drawn W+M
Checked W+M

Drawing No **Revision**

DA2.204 B



1 DA2 - North Elevation
A10.201 1:200

EXTERNAL FINISHES LEGEND

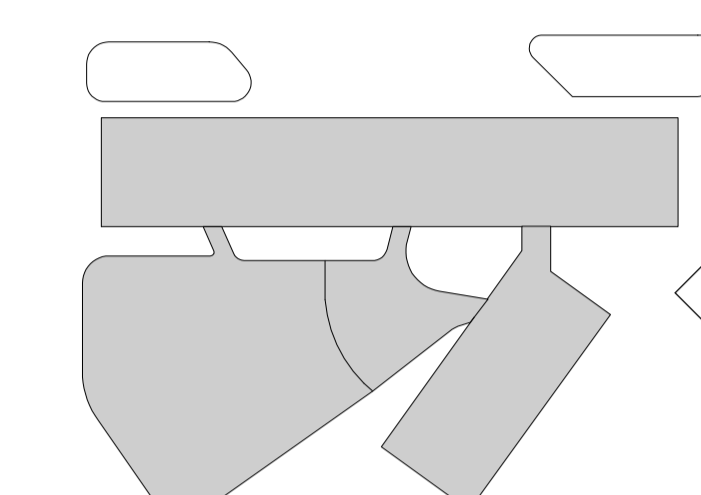
1	EXISTING BRICK FAÇADE
2	EXISTING TIMBER WINDOWS
3	EXISTING TIMBER FRAMED WINDOW WITH RECESSED LOUVRES
4	EXISTING ROOF TILES
5	NEW GLAZED DOUBLE SKIN VENTILATED CAVITY FAÇADE SYSTEM
6	NEW TIMBER SOFFIT
7	NEW FULL HEIGHT GLAZING
8	NEW TIMBER SLANTED COLUMNS
9	NEW GLAZED BALUSTRADE
10	NEW FULL HEIGHT PLANTED SCREEN
11	NEW FULL HEIGHT LOUVRED SCREEN
12	NEW CONCRETE PLANTED FAÇADE
13	NEW COLOUR BACK GLAZING
14	EXISTING METAL LOUVRES
15	NEW GLAZED ATRIUM
16	NEW LANDSCAPE CORNER
17	NEW LOUVRED OPENINGS
18	PAINTED STEEL WITH PAINTED METAL LOUVRES ABOVE
19	NEW PAINTED METAL FENCE
20	NEW GLAZED WINDOW
21	NEW GLAZED LOUVRES

Revisions

- A 14/10/2022 DESIGN AMENDMENTS
- B 11/11/2022 DESIGN AMENDMENTS

Notes

--- PROPOSED NEW BUILD



Consultants

- GBA Heritage**
Heritage Consultant
 - Northrop Consulting Engineers**
Structural & Civil Engineers
 - Norman Disney & Young**
Services Engineer
 - Arup**
Fire & Lighting Engineers
 - ASPECT Studios**
Landscape Architects
 - Ethos Urban**
Town Planner
 - Modern Building Certifier**
Accessibility Consultant
 - WT Partnership**
Quantity Surveyor
 - Veris**
Surveyor
- Client**
Google Australia Pty Limited

Warren and Mahoney Architects Australia Pty Ltd

Suite 13.03, Plaza Building
Australia Square, 95 Pitt Street
Sydney, NSW 2000
Australia
Phone + 61 2 8021 9809

Registered Architects and Designers
www.warrenandmahoney.com

Project Title

Google Pirrama Rd

38-42 Pirrama Road, Pyrmont, NSW 2009

Drawing Title

PROPOSED SOUTH ELEVATION - INC. BLD D

Drawing Status

DEVELOPMENT APPLICATION

Drawing Details

Scale 1 : 200 @ A1
Date 11/11/2022
Job No 9153
Drawn W+M
Checked W+M

Drawing No **Revision**

DA2.205 B



1 DA2 - South Elevation
A10.101 1 : 200

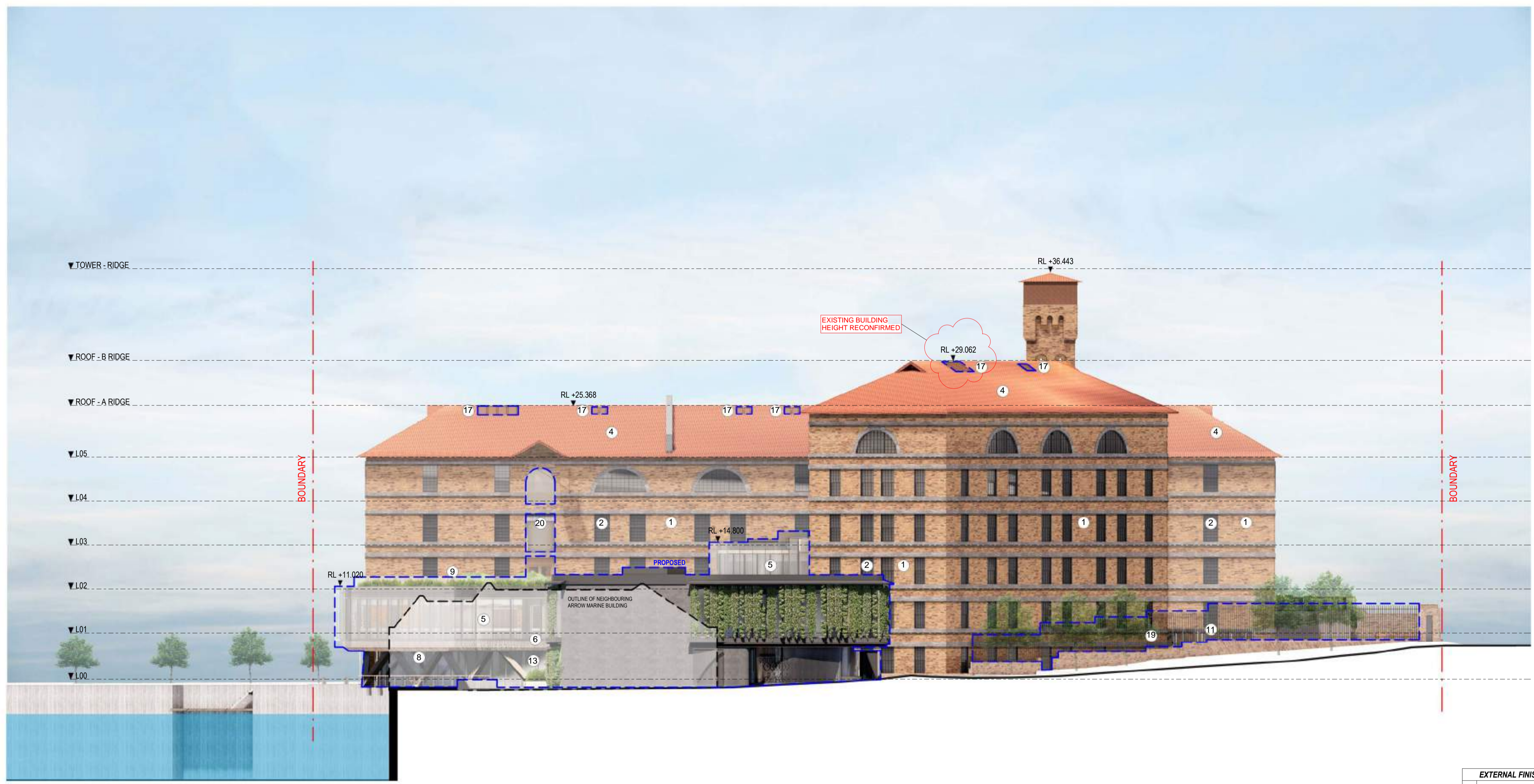
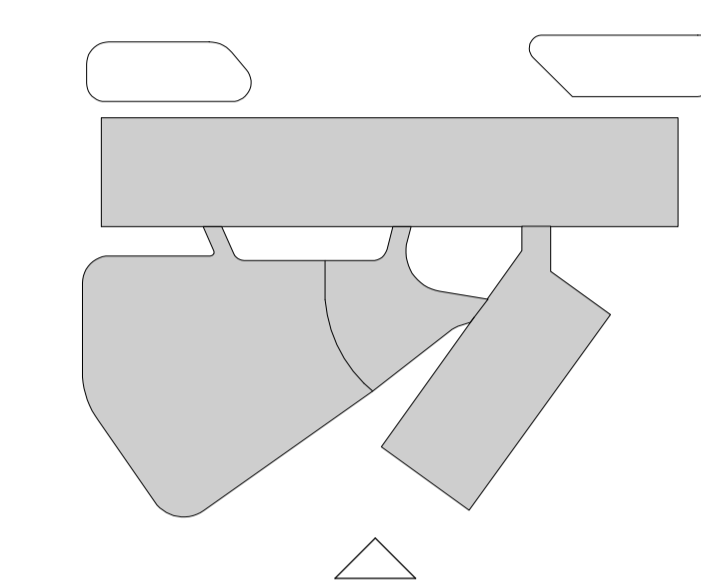
EXTERNAL FINISHES LEGEND	
1	EXISTING BRICK FAÇADE
2	EXISTING TIMBER WINDOWS
3	EXISTING TIMBER FRAMED WINDOW WITH RECESSED LOUVRES
4	EXISTING ROOF TILES
5	NEW GLAZED DOUBLE SKIN VENTILATED CAVITY FAÇADE SYSTEM
6	NEW TIMBER SOFFIT
7	NEW FULL HEIGHT GLAZING
8	NEW TIMBER SLANTED COLUMNS
9	NEW GLAZED BALUSTRADE
10	NEW FULL HEIGHT PLANTED SCREEN
11	NEW FULL HEIGHT LOUVRED SCREEN
12	NEW CONCRETE PLANTED FAÇADE
13	NEW COLOUR BACK GLAZING
14	EXISTING METAL LOUVRES
15	NEW GLAZED ATRIUM
16	NEW LANDSCAPE CORNER
17	NEW LOUVRED OPENINGS
18	PAINTED STEEL WITH PAINTED METAL LOUVRES ABOVE
19	NEW PAINTED METAL FENCE
20	NEW GLAZED WINDOW
21	NEW GLAZED LOUVRES

Revisions

- A 14/10/2022 DESIGN AMENDMENTS
- B 11/11/2022 DESIGN AMENDMENTS

Notes

- PROPOSED NEW BUILD



- GBA Heritage**
Heritage Consultant
- Northrop Consulting Engineers**
Structural & Civil Engineers
- Norman Disney & Young**
Services Engineer
- Arup**
Fire & Lighting Engineers
- ASPECT Studios**
Landscape Architects
- Ethos Urban**
Town Planner
- Modern Building Certifier**
Accessibility Consultant
- WT Partnership**
Quantity Surveyor
- Veris**
Surveyor

Client

Google Australia Pty Limited

Warren and Mahoney Architects Australia Pty Ltd

Suite 13.03, Plaza Building
Australia Square, 95 Pitt Street
Sydney, NSW 2000
Australia
Phone + 61 2 8021 9809

Registered Architects and Designers
www.warrenandmahoney.com

Project Title

Google Pirrama Rd

38-42 Pirrama Road, Pyrmont, NSW 2009

Drawing Title

PROPOSED WEST ELEVATION - INC. BLD D

Drawing Status

DEVELOPMENT APPLICATION

Drawing Details

Scale 1 : 200 @ A1
Date 11/11/2022
Job No 9153
Drawn W+M
Checked W+M

Drawing No **Revision**

DA2.206 B

EXTERNAL FINISHES LEGEND

1	EXISTING BRICK FAÇADE
2	EXISTING TIMBER WINDOWS
3	EXISTING TIMBER FRAMED WINDOW WITH RECESSED LOUVRES
4	EXISTING ROOF TILES
5	NEW GLAZED DOUBLE SKIN VENTILATED CAVITY FAÇADE SYSTEM
6	NEW TIMBER SOFFIT
7	NEW FULL HEIGHT GLAZING
8	NEW TIMBER SLANTED COLUMNS
9	NEW GLAZED BALUSTRADE
10	NEW FULL HEIGHT PLANTED SCREEN
11	NEW FULL HEIGHT LOUVRED SCREEN
12	NEW CONCRETE PLANTED FAÇADE
13	NEW COLOUR BACK GLAZING
14	EXISTING METAL LOUVRES
15	NEW GLAZED ATRIUM
16	NEW LANDSCAPE CORNER
17	NEW LOUVRED OPENINGS
18	PAINTED STEEL WITH PAINTED METAL LOUVRES ABOVE
19	NEW PAINTED METAL FENCE
20	NEW GLAZED WINDOW
21	NEW GLAZED LOUVRES

1 DA2 - West Elevation
A10.201 1 : 200

Revisions

A 11/11/2022 DESIGN AMENDMENTS

Notes

PROPOSED NEW BUILD

Consultants

- GBA Heritage**
Heritage Consultant
- Northrop Consulting Engineers**
Structural & Civil Engineers
- Norman Disney & Young**
Services Engineer
- Arup**
Fire & Lighting Engineers
- ASPECT Studios**
Landscape Architects
- Ethos Urban**
Town Planner
- Modern Building Certifier**
Accessibility Consultant
- WT Partnership**
Quantity Surveyor
- Veris**
Surveyor
- Client**
Google Australia Pty Limited

Warren and Mahoney Architects
Australia Pty Ltd

Suite 13.03, Plaza Building
Australia Square, 95 Pitt Street
Sydney, NSW 2000
Australia
Phone + 61 2 8021 9809

Registered Architects and Designers
www.warrenandmahoney.com

Project Title

Google Pirrama Rd

38-42 Pirrama Road, Pyrmont, NSW 2009

Drawing Title

PROPOSED ELEVATIONS - NORTH

Drawing Status

DEVELOPMENT APPLICATION

Drawing Details

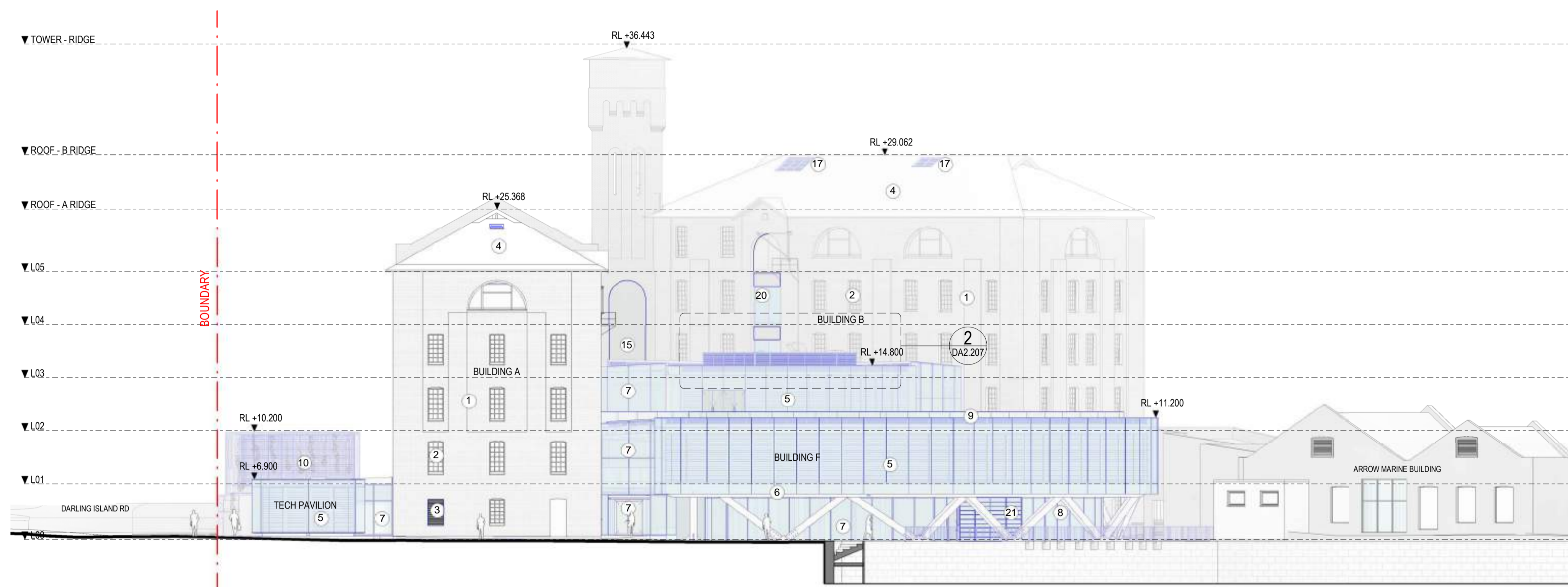
Scale As indicated @ A1
Date 11/11/2022
Job No 9153
Drawn W+M
Checked W+M

Drawing No

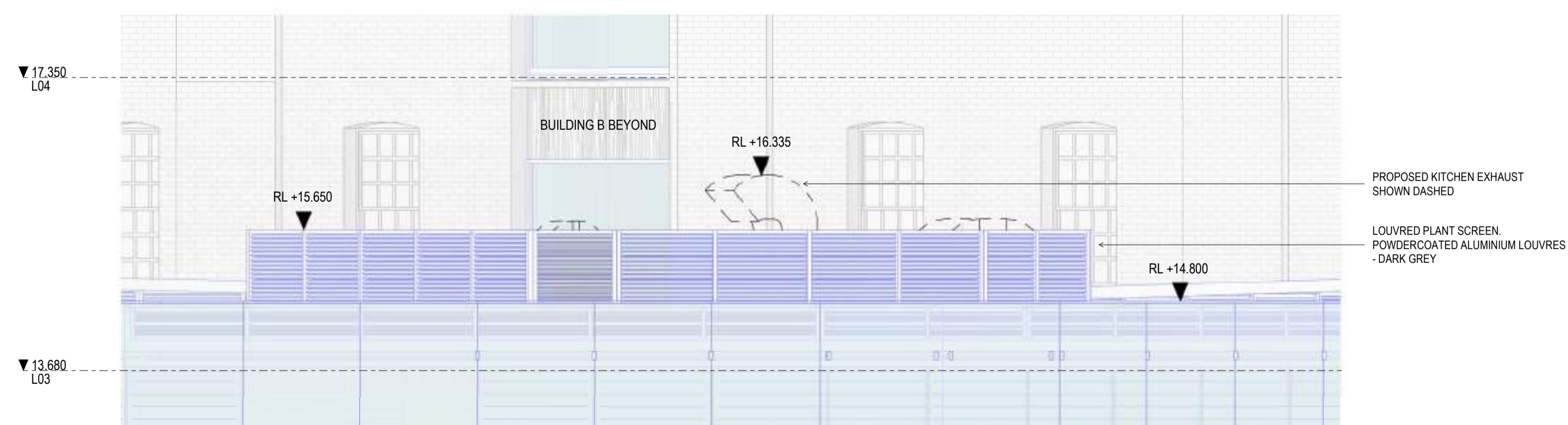
DA2.207

Revision

A



1 DA2 - North Elevation
A10.201 1:200



2 Building F Roof Plant - Enlarged Elevation
DA2.207 1:50

EXTERNAL FINISHES LEGEND

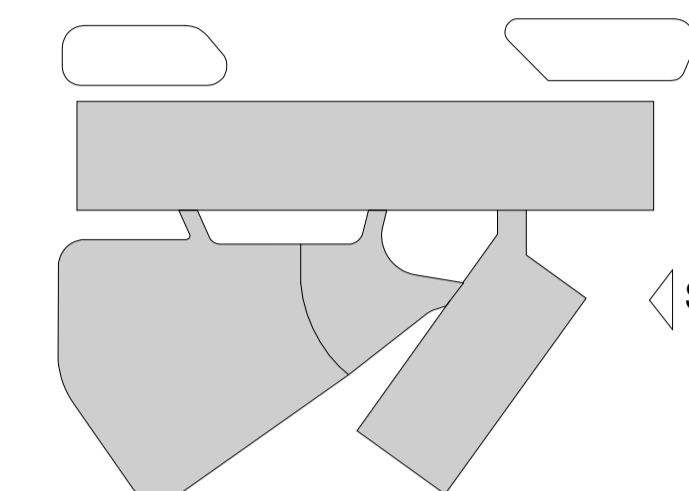
- 1 EXISTING BRICK FAÇADE
- 2 EXISTING TIMBER WINDOWS
- 3 EXISTING TIMBER FRAMED WINDOW WITH RECESSED LOUVRES
- 4 EXISTING ROOF TILES
- 5 NEW GLAZED DOUBLE SKIN VENTILATED CAVITY FAÇADE SYSTEM
- 6 NEW TIMBER SOFFIT
- 7 NEW FULL HEIGHT GLAZING
- 8 NEW TIMBER SLANTED COLUMNS
- 9 NEW GLAZED BALUSTRADE
- 10 NEW FULL HEIGHT PLANTED SCREEN
- 11 NEW FULL HEIGHT LOUVRED SCREEN
- 12 NEW CONCRETE PLANTED FAÇADE
- 13 NEW COLOUR BACK GLAZING
- 14 EXISTING METAL LOUVRES
- 15 NEW GLAZED ATRIUM
- 16 NEW LANDSCAPE CORNER
- 17 NEW LOUVRED OPENINGS
- 18 PAINTED STEEL WITH PAINTED METAL LOUVRES ABOVE
- 19 NEW PAINTED METAL FENCE
- 20 NEW GLAZED WINDOW
- 21 NEW GLAZED LOUVRES

Revisions

A 11/11/2022 DESIGN AMENDMENTS

Notes

— PROPOSED NEW BUILD



1 DA2 - South Elevation
A10.101 1 : 200

Consultants

- GBA Heritage**
Heritage Consultant
- Northrop Consulting Engineers**
Structural & Civil Engineers
- Norman Disney & Young**
Services Engineer
- Arup**
Fire & Lighting Engineers
- ASPECT Studios**
Landscape Architects
- Ethos Urban**
Town Planner
- Modern Building Certifier**
Accessibility Consultant
- WT Partnership**
Quantity Surveyor
- Veris**
Surveyor

Client

Google Australia Pty Limited

Warren and Mahoney Architects Australia Pty Ltd

Suite 13.03, Plaza Building
Australia Square, 95 Pitt Street
Sydney, NSW 2000
Australia
Phone + 61 2 8021 9809

Registered Architects and Designers
www.warrenandmahoney.com

Project Title

Google Pirrama Rd

38-42 Pirrama Road, Pyrmont, NSW 2009

Drawing Title

PROPOSED ELEVATIONS - SOUTH

Drawing Status

DEVELOPMENT APPLICATION

Drawing Details

Scale 1 : 200 @ A1
Date 11/11/2022
Job No 9153
Drawn W+M
Checked W+M

Drawing No **Revision**

DA2.208 A

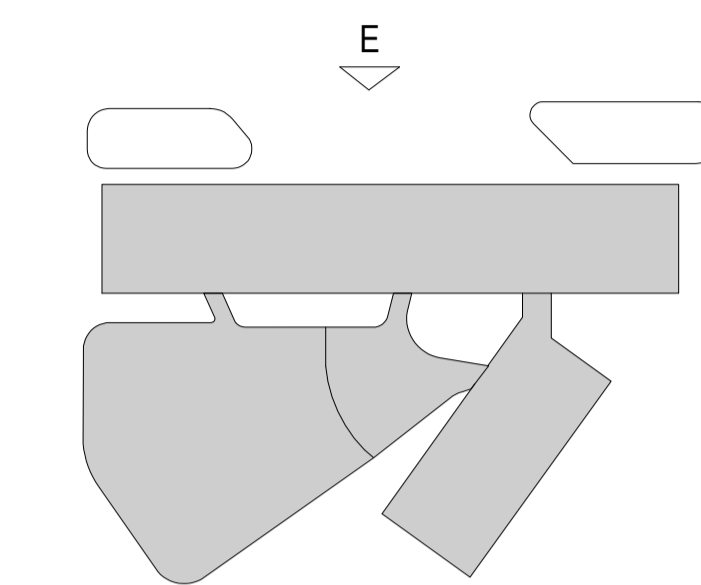
EXTERNAL FINISHES LEGEND	
1	EXISTING BRICK FAÇADE
2	EXISTING TIMBER WINDOWS
3	EXISTING TIMBER FRAMED WINDOW WITH RECESSED LOUVRES
4	EXISTING ROOF TILES
5	NEW GLAZED DOUBLE SKIN VENTILATED CAVITY FAÇADE SYSTEM
6	NEW TIMBER SOFFIT
7	NEW FULL HEIGHT GLAZING
8	NEW TIMBER SLANTED COLUMNS
9	NEW GLAZED BALUSTRADE
10	NEW FULL HEIGHT PLANTED SCREEN
11	NEW FULL HEIGHT LOUVRED SCREEN
12	NEW CONCRETE PLANTED FAÇADE
13	NEW COLOUR BACK GLAZING
14	EXISTING METAL LOUVRES
15	NEW GLAZED ATRIUM
16	NEW LANDSCAPE CORNER
17	NEW LOUVRED OPENINGS
18	PAINTED STEEL WITH PAINTED METAL LOUVRES ABOVE
19	NEW PAINTED METAL FENCE
20	NEW GLAZED WINDOW
21	NEW GLAZED LOUVRES

Revisions

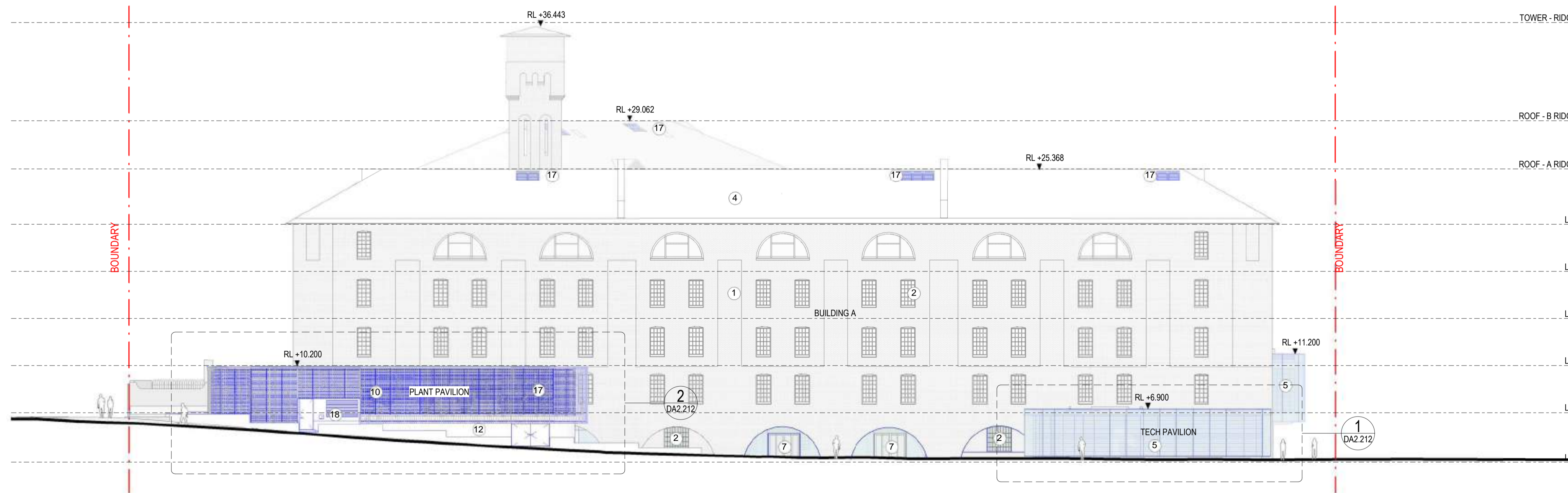
A 11/11/2022 DESIGN AMENDMENTS

Notes

— PROPOSED NEW BUILD



196



1 DA2 - East Elevation
A10.201 1 : 200

EXTERNAL FINISHES LEGEND	
1	EXISTING BRICK FAÇADE
2	EXISTING TIMBER WINDOWS
3	EXISTING TIMBER FRAMED WINDOW WITH RECESSED LOUVRES
4	EXISTING ROOF TILES
5	NEW GLAZED DOUBLE SKIN VENTILATED CAVITY FAÇADE SYSTEM
6	NEW TIMBER SOFFIT
7	NEW FULL HEIGHT GLAZING
8	NEW TIMBER SLANTED COLUMNS
9	NEW GLAZED BALUSTRADE
10	NEW FULL HEIGHT PLANTED SCREEN
11	NEW FULL HEIGHT LOUVRED SCREEN
12	NEW CONCRETE PLANTED FAÇADE
13	NEW COLOUR BACK GLAZING
14	EXISTING METAL LOUVRES
15	NEW GLAZED ATRIUM
16	NEW LANDSCAPE CORNER
17	NEW LOUVRED OPENINGS
18	PAINTED STEEL WITH PAINTED METAL LOUVRES ABOVE
19	NEW PAINTED METAL FENCE
20	NEW GLAZED WINDOW
21	NEW GLAZED LOUVRES

Consultants

- GBA Heritage**
Heritage Consultant
- Northrop Consulting Engineers**
Structural & Civil Engineers
- Norman Disney & Young**
Services Engineer
- Arup**
Fire & Lighting Engineers
- ASPECT Studios**
Landscape Architects
- Ethos Urban**
Town Planner
- Modern Building Certifier**
Accessibility Consultant
- WT Partnership**
Quantity Surveyor
- Veris**
Surveyor
- Client**
Google Australia Pty Limited

Warren and Mahoney Architects Australia Pty Ltd

Suite 13.03, Plaza Building
Australia Square, 95 Pitt Street
Sydney, NSW 2000
Australia
Phone + 61 2 8021 9809

Registered Architects and Designers
www.warrenandmahoney.com

Project Title

Google Pirrama Rd

38-42 Pirrama Road, Pyrmont, NSW 2009

Drawing Title

PROPOSED ELEVATIONS - EAST

Drawing Status

DEVELOPMENT APPLICATION

Drawing Details

Scale 1 : 200 @ A1
Date 11/11/2022
Job No 9153
Drawn W+M
Checked W+M

Drawing No **Revision**

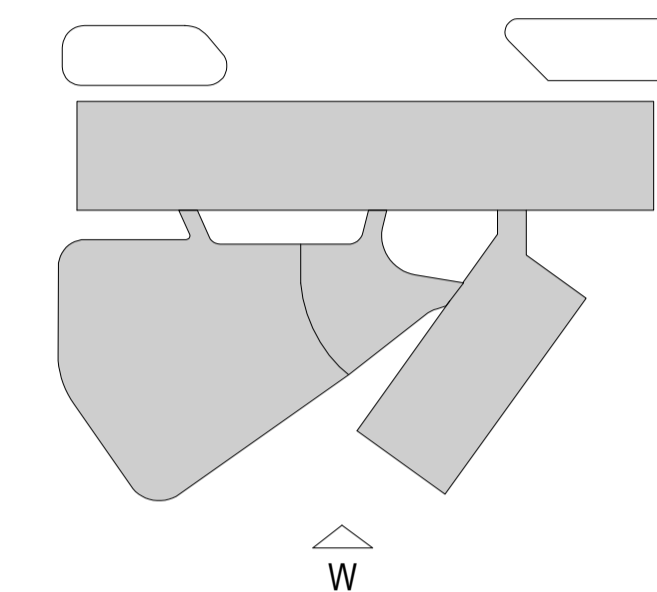
DA2.209 A

Revisions

A 11/11/2022 DESIGN AMENDMENTS

Notes

PROPOSED NEW BUILD



Consultants

- GBA Heritage**
Heritage Consultant
- Northrop Consulting Engineers**
Structural & Civil Engineers
- Norman Disney & Young**
Services Engineer
- Arup**
Fire & Lighting Engineers
- ASPECT Studios**
Landscape Architects
- Ethos Urban**
Town Planner
- Modern Building Certifier**
Accessibility Consultant
- WT Partnership**
Quantity Surveyor
- Veris**
Surveyor
- Client**
Google Australia Pty Limited

Warren and Mahoney Architects Australia Pty Ltd

Suite 13.03, Plaza Building
Australia Square, 95 Pitt Street
Sydney, NSW 2000
Australia
Phone + 61 2 8021 9809

Registered Architects and Designers
www.warrenandmahoney.com

Project Title

Google Pirrama Rd

38-42 Pirrama Road, Pyrmont, NSW 2009

Drawing Title

PROPOSED ELEVATIONS - WEST

Drawing Status

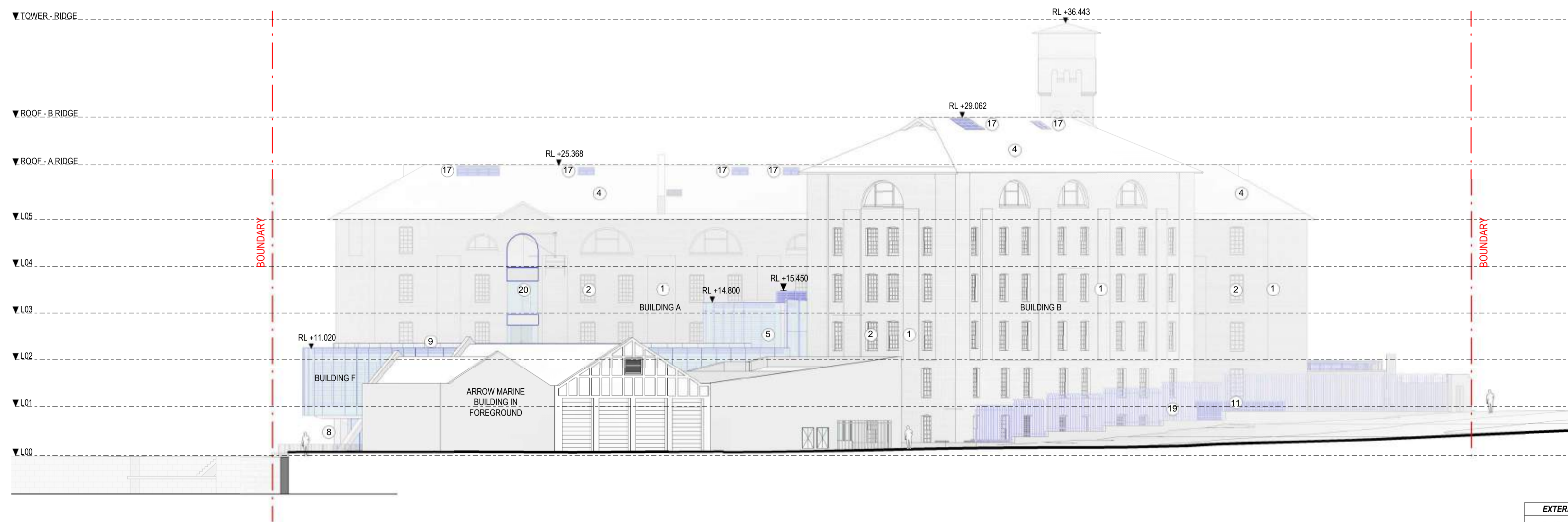
DEVELOPMENT APPLICATION

Drawing Details

Scale 1 : 200 @ A1
Date 11/11/2022
Job No 9153
Drawn W+M
Checked W+M

Drawing No **Revision**

DA2.210 A



1 DA2 - West Elevation
A10.201 1 : 200

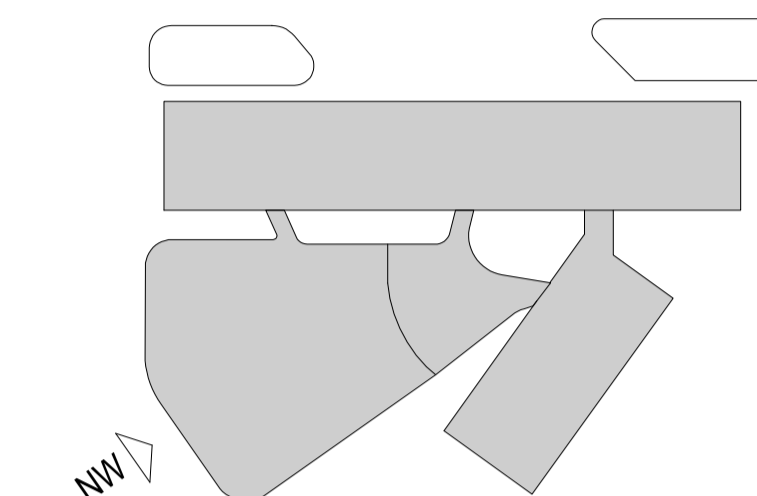
EXTERNAL FINISHES LEGEND	
1	EXISTING BRICK FAÇADE
2	EXISTING TIMBER WINDOWS
3	EXISTING TIMBER FRAMED WINDOW WITH RECESSED LOUVRES
4	EXISTING ROOF TILES
5	NEW GLAZED DOUBLE SKIN VENTILATED CAVITY FAÇADE SYSTEM
6	NEW TIMBER SOFFIT
7	NEW FULL HEIGHT GLAZING
8	NEW TIMBER SLANTED COLUMNS
9	NEW GLAZED BALUSTRADE
10	NEW FULL HEIGHT PLANTED SCREEN
11	NEW FULL HEIGHT LOUVRED SCREEN
12	NEW CONCRETE PLANTED FAÇADE
13	NEW COLOUR BACK GLAZING
14	EXISTING METAL LOUVRES
15	NEW GLAZED ATRIUM
16	NEW LANDSCAPE CORNER
17	NEW LOUVRED OPENINGS
18	PAINTED STEEL WITH PAINTED METAL LOUVRES ABOVE
19	NEW PAINTED METAL FENCE
20	NEW GLAZED WINDOW
21	NEW GLAZED LOUVRES

All dimension to be verified on site before producing shop drawings or commencing any work. Do not scale. The copyright of this drawing remains with Warren and Mahoney Architects Ltd.

Revisions

A 11/11/2022 DESIGN AMENDMENTS

Notes



Consultants

- GBA Heritage**
Heritage Consultant
- Northrop Consulting Engineers**
Structural & Civil Engineers
- Norman Disney & Young**
Services Engineer
- Arup**
Fire & Lighting Engineers
- ASPECT Studios**
Landscape Architects
- Ethos Urban**
Town Planner
- Modern Building Certifier**
Accessibility Consultant
- WT Partnership**
Quantity Surveyor
- Veris**
Surveyor
- Client**
Google Australia Pty Limited

Warren and Mahoney Architects Australia Pty Ltd

Suite 13.03, Plaza Building
Australia Square, 95 Pitt Street
Sydney, NSW 2000
Australia
Phone + 61 2 8021 9809

Registered Architects and Designers
www.warrenandmahoney.com

Project Title

Google Pirrama Rd

38-42 Pirrama Road, Pyrmont, NSW 2009

Drawing Title

EXTERNAL ELEVATIONS - ENLARGED

Drawing Status

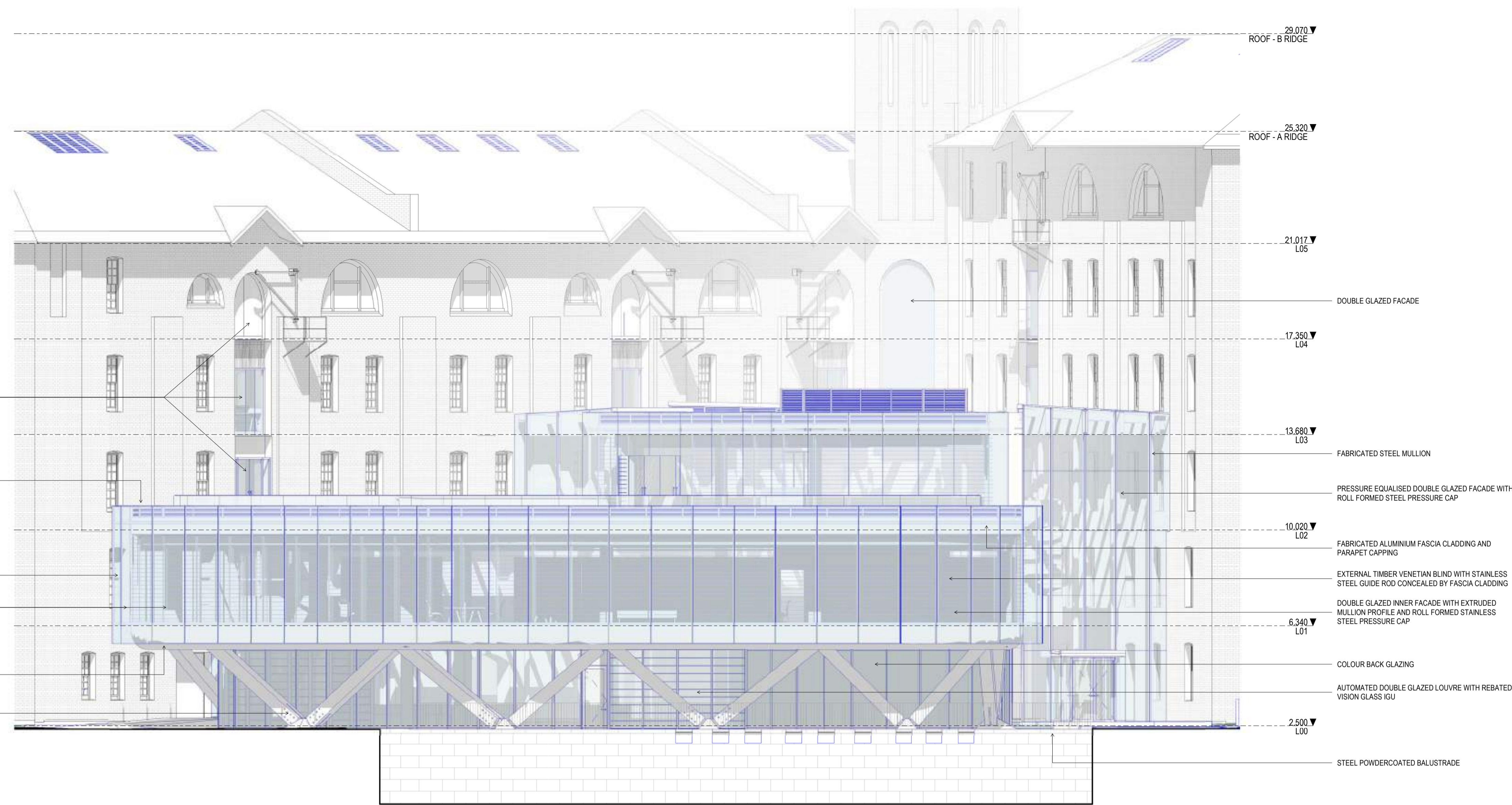
DEVELOPMENT APPLICATION

Drawing Details

Scale	As indicated @ A1
Date	11/11/2022
Job No	9153
Drawn	W+M
Checked	W+M

Drawing No **Revision**

DA2.211 **(A)**



1 BUILDING F - North West Elevation
A10.201 1:100



Double Skin Facade 3D

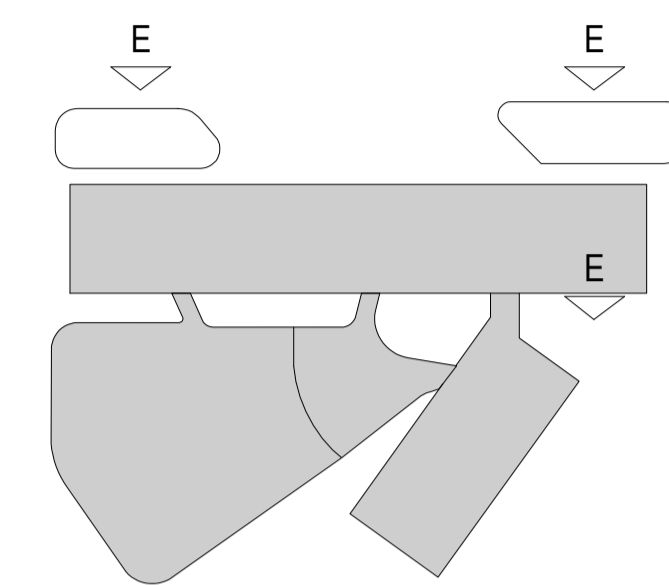


Atrium Facade 3D

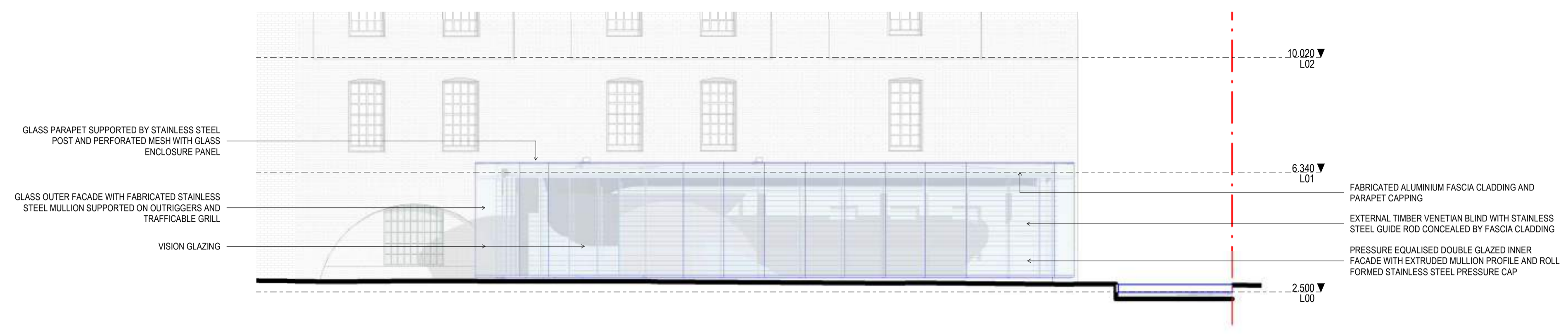
Revisions

A 11/11/2022 DESIGN AMENDMENTS

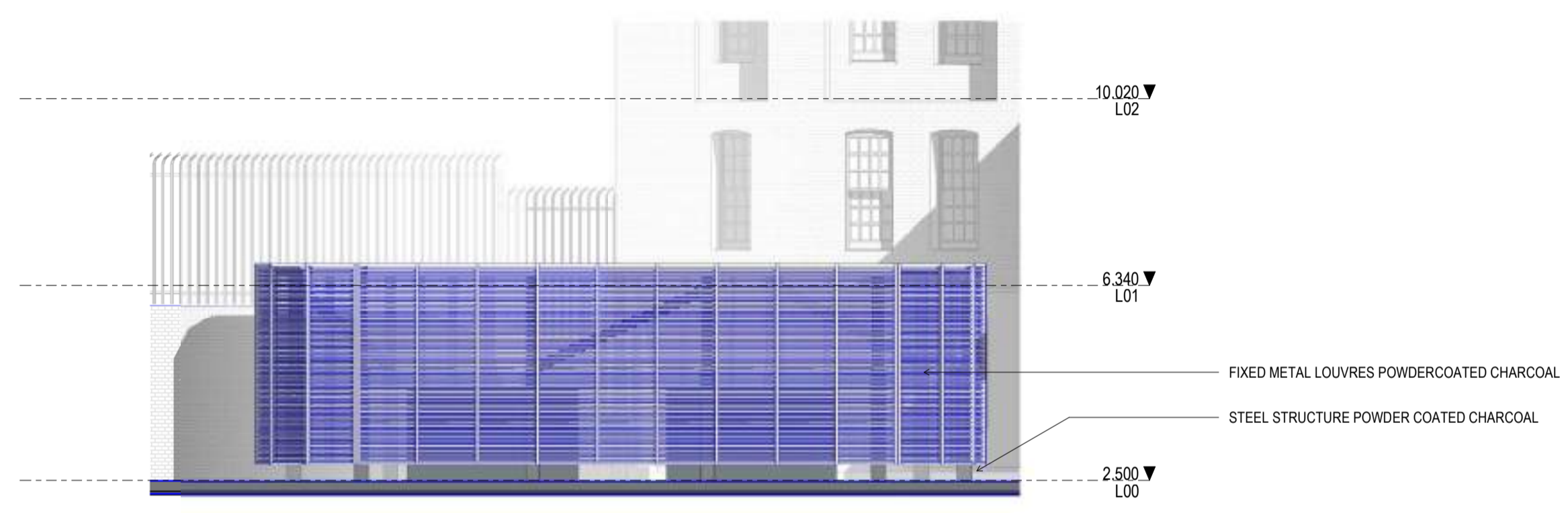
Notes



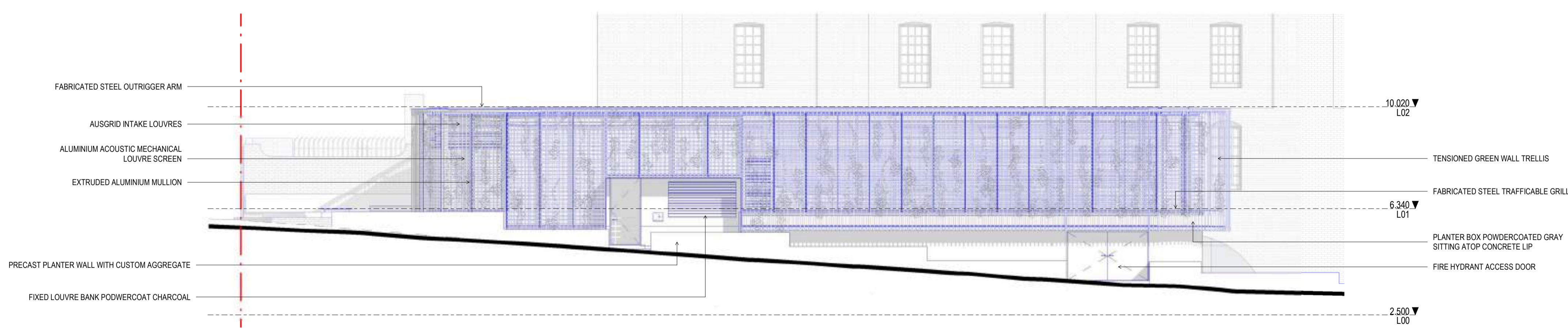
Tech Pavilion Facade 3D



1 TECH PAVILION - EAST ELEVATION
A10.201 1:100



3 HW PLANT ENLARGED ELEVATION
A10.101 1:100



2 PLANT PAVILION - EAST ELEVATION
A10.201 1:100

Consultants

- GBA Heritage**
Heritage Consultant
 - Northrop Consulting Engineers**
Structural & Civil Engineers
 - Norman Disney & Young**
Services Engineer
 - Arup**
Fire & Lighting Engineers
 - ASPECT Studios**
Landscape Architects
 - Ethos Urban**
Town Planner
 - Modern Building Certifier**
Accessibility Consultant
 - WT Partnership**
Quantity Surveyor
 - Veris**
Surveyor
- Client**
Google Australia Pty Limited

Warren and Mahoney Architects Australia Pty Ltd

Suite 13.03, Plaza Building
Australia Square, 95 Pitt Street
Sydney, NSW 2000
Australia
Phone + 61 2 8021 9809

Registered Architects and Designers
www.warrenandmahoney.com

Project Title
Google Pirrama Rd

38-42 Pirrama Road, Pyrmont, NSW 2009

Drawing Title

EXTERNAL ELEVATIONS - ENLARGED

Drawing Status
DEVELOPMENT APPLICATION

Drawing Details

Scale	As indicated @ A1
Date	11/11/2022
Job No	9153
Drawn	W+M
Checked	W+M

Drawing No	Revision
DA2.212	A

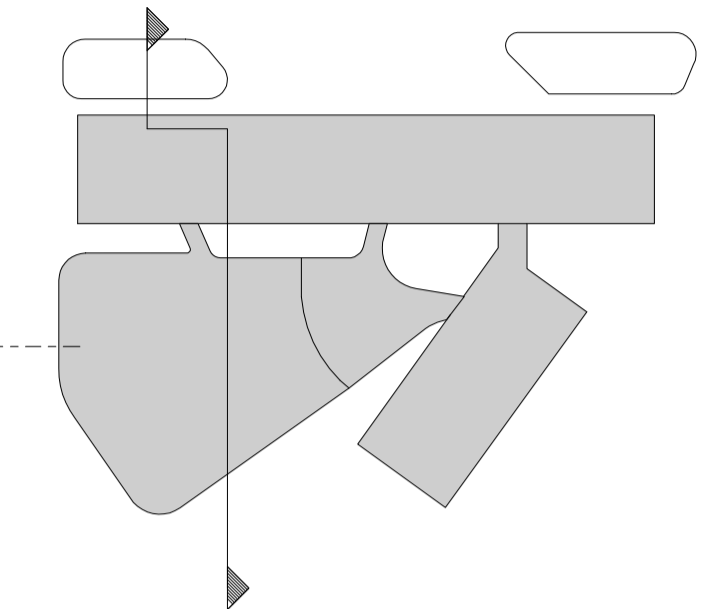
All dimension to be verified on site before producing shop drawings or commencing any work. Do not scale. The copyright of this drawing remains with Warren and Mahoney Architects Ltd.

Revisions

A	17/08/2021	DRAFT FOR COMMENT
B	27/08/2021	DEVELOPMENT APPLICATION
C	08/09/2021	DEVELOPMENT APPLICATION
D	23/06/2022	DESIGN AMENDMENTS
E	24/08/2022	DESIGN AMENDMENTS
F	11/11/2022	DESIGN AMENDMENTS

Notes

— PROPOSED NEW BUILD



Consultants

- GBA Heritage**
Heritage Consultant
- Northrop Consulting Engineers**
Structural & Civil Engineers
- Norman Disney & Young**
Services Engineer
- Arup**
Fire & Lighting Engineers
- ASPECT Studios**
Landscape Architects
- Ethos Urban**
Town Planner
- Modern Building Certifier**
Accessibility Consultant
- WT Partnership**
Quantity Surveyor
- Veris**
Surveyor

Client

Google Australia Pty Limited

Warren and Mahoney Architects Australia Pty Ltd

Suite 13.03, Plaza Building
Australia Square, 95 Pitt Street
Sydney, NSW 2000
Australia
Phone + 61 2 8021 9809

Registered Architects and Designers
www.warrenandmahoney.com

Project Title

Google Pirrama Rd

38-42 Pirrama Road, Pyrmont, NSW 2009

Drawing Title

OVERALL SECTION 01

Drawing Status

DEVELOPMENT APPLICATION

Drawing Details

Scale	1 : 100 @ A1
Date	11/11/2022
Job No	9153
Drawn	W+M
Checked	W+M

Drawing No

DA2.300

Revision

F

1 Section 01
A10.101 1:100

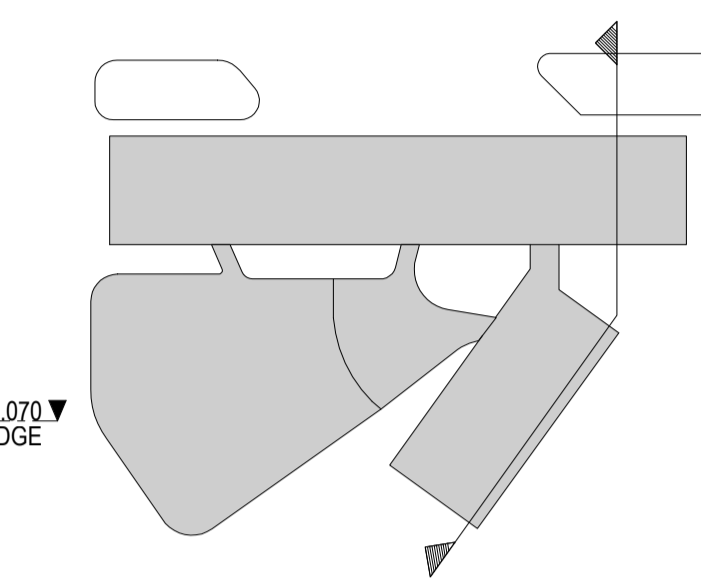
All dimension to be verified on site before producing shop drawings or commencing any work. Do not scale. The copyright of this drawing remains with Warren and Mahoney Architects Ltd.

Revisions

A	17/08/2021	DRAFT FOR COMMENT
B	27/08/2021	DEVELOPMENT APPLICATION
C	08/09/2021	DEVELOPMENT APPLICATION
D	23/06/2022	DESIGN AMENDMENTS
E	24/08/2022	DESIGN AMENDMENTS
F	11/11/2022	DESIGN AMENDMENTS

Notes

— PROPOSED NEW BUILD



Consultants

- GBA Heritage**
Heritage Consultant
- Northrop Consulting Engineers**
Structural & Civil Engineers
- Norman Disney & Young**
Services Engineer
- Arup**
Fire & Lighting Engineers
- ASPECT Studios**
Landscape Architects
- Ethos Urban**
Town Planner
- Modern Building Certifier**
Accessibility Consultant
- WT Partnership**
Quantity Surveyor
- Veris**
Surveyor

Client

Google Australia Pty Limited

Warren and Mahoney Architects Australia Pty Ltd

Suite 13.03, Plaza Building
Australia Square, 95 Pitt Street
Sydney, NSW 2000
Australia
Phone + 61 2 8021 9809

Registered Architects and Designers
www.warrenandmahoney.com

Project Title

Google Pirrama Rd

38-42 Pirrama Road, Pyrmont, NSW 2009

Drawing Title

OVERALL SECTION
02

Drawing Status

DEVELOPMENT
APPLICATION

Drawing Details

Scale	1 : 100 @ A1
Date	11/11/2022
Job No	9153
Drawn	W+M
Checked	W+M

Drawing No **Revision**

DA2.301 F



1 Section 02
A10.201 1:100

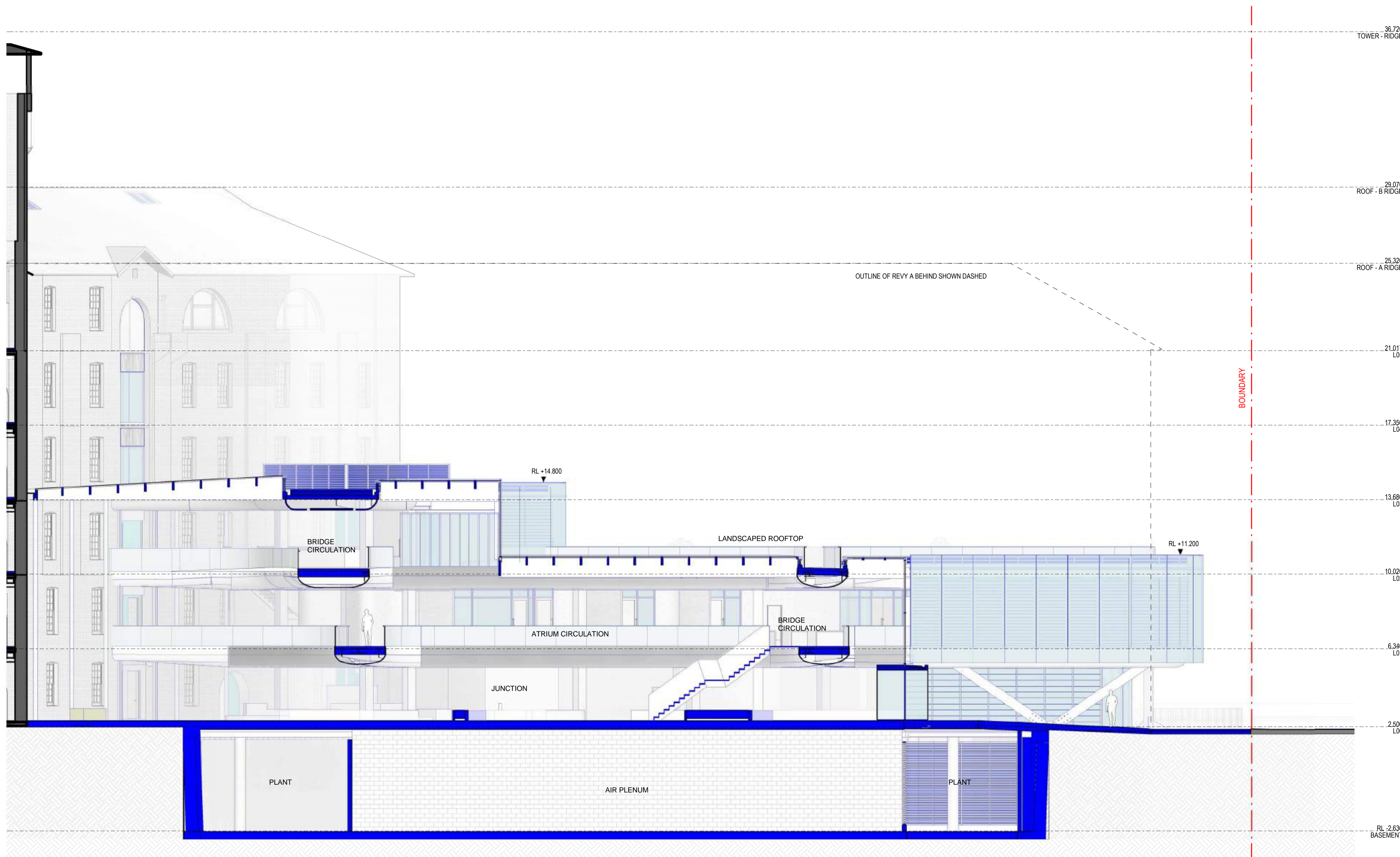
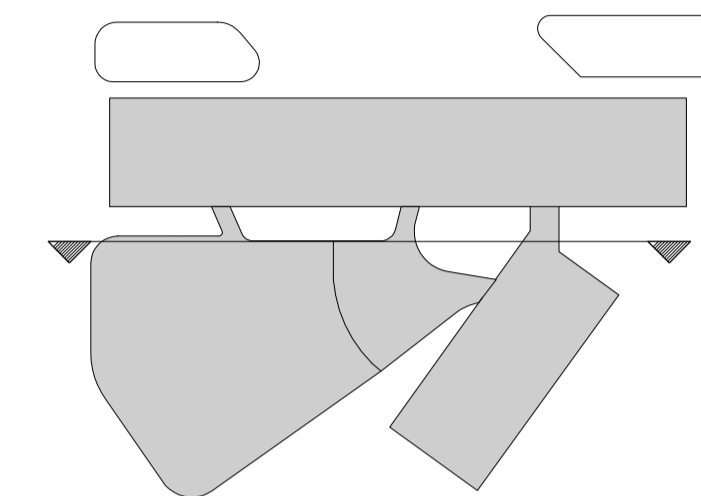
All dimension to be verified on site before producing shop drawings or commencing any work. Do not scale. The copyright of this drawing remains with Warren and Mahoney Architects Ltd.

Revisions

A	17/08/2021	DRAFT FOR COMMENT
B	27/08/2021	DEVELOPMENT APPLICATION
C	08/09/2021	DEVELOPMENT APPLICATION
D	23/06/2022	DESIGN AMENDMENTS
E	24/08/2022	DESIGN AMENDMENTS
F	11/11/2022	DESIGN AMENDMENTS

Notes

— PROPOSED NEW BUILD



Consultants

- GBA Heritage**
Heritage Consultant
- Northrop Consulting Engineers**
Structural & Civil Engineers
- Norman Disney & Young**
Services Engineer
- Arup**
Fire & Lighting Engineers
- ASPECT Studios**
Landscape Architects
- Ethos Urban**
Town Planner
- Modern Building Certifier**
Accessibility Consultant
- WT Partnership**
Quantity Surveyor
- Veris**
Surveyor

Client

Google Australia Pty Limited

Warren and Mahoney Architects Australia Pty Ltd

Suite 13.03, Plaza Building
Australia Square, 95 Pitt Street
Sydney, NSW 2000
Australia
Phone + 61 2 8021 9809

Registered Architects and Designers
www.warrenandmahoney.com

Project Title

Google Pirrama Rd

38-42 Pirrama Road, Pyrmont, NSW 2009

Drawing Title

OVERALL SECTION 03

Drawing Status

DEVELOPMENT APPLICATION

Drawing Details

Scale	1 : 100 @ A1
Date	11/11/2022
Job No	9153
Drawn	W+M
Checked	W+M

Drawing No **Revision**

DA2.302 F

1 Section 03
A10.201 1:100

202